



**IMPORTANT FOR FUTURE REFERENCE**  
Please complete this information and retain this manual for the life of the equipment:

Model #: \_\_\_\_\_  
Serial #: \_\_\_\_\_  
Date Purchased: \_\_\_\_\_

# Platinum Steakhouse Broiler

## Parts Manual



1100 Old Honeycutt Road Fuquay-Varina, North Carolina 27526 USA  
[www.southbendnc.com](http://www.southbendnc.com)



Replacement parts may be ordered either through a Southbend Authorized Parts Distributer or a Southbend Authorized Service Agency. It is recommended to verify parts numbs with a Southbend Authorized Parts Supplier or the Southbend Parts/Service Department prior to ordering parts.

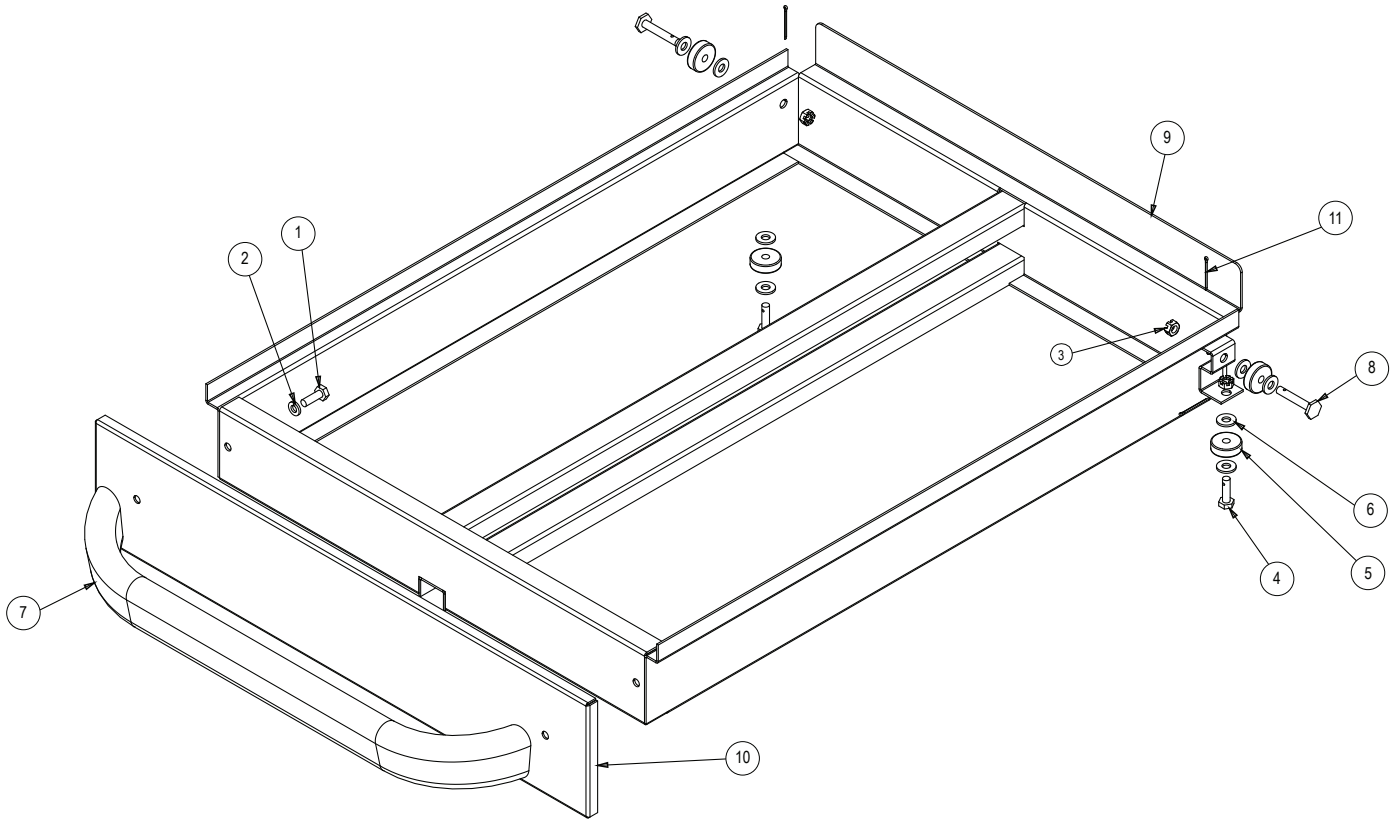
## PARTS

The following tables and figures list serviceable parts. For parts that are not listed, contact a Southbend Authorized Parts Distributor or a Southbend Authorized Service Agency.

<b>Table of Contents</b>	
<b>Page Number</b>	<b>Description</b>
3	Carriage Parts
4	Cradle Parts
5	Rack Parts
6	Natural/Propane Broiler Parts

Figure 1

**Carriage Parts**

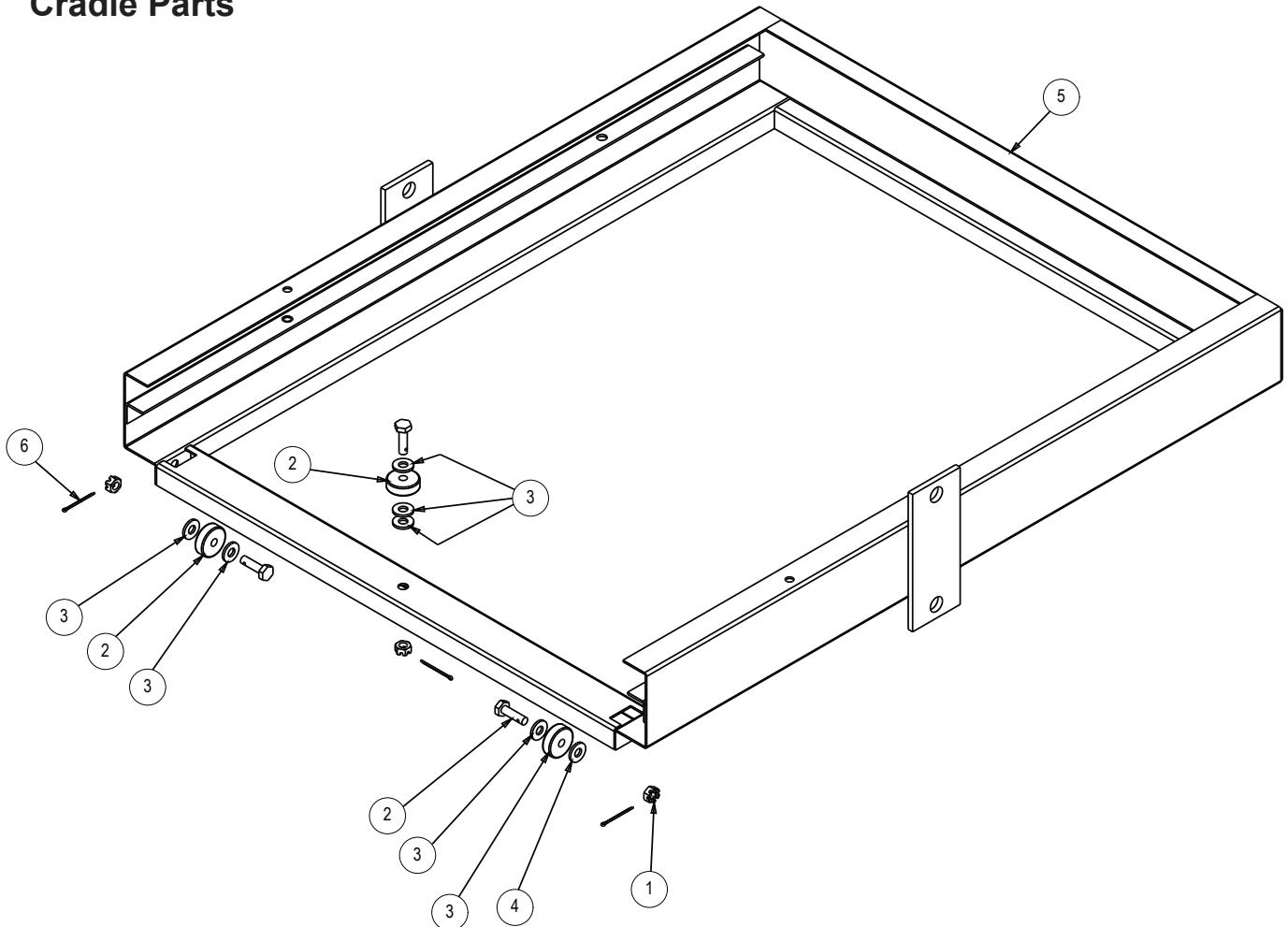


Key	Part Number	Description
1	1146201	SCREW, 1/4-20X3/4 HEX HEAD
2	1146500	WASHER 1/4, LOCK
3	1146924	NUT, 1/4-20 CASTLE, PLAIN
4	1146925	BOLT, 1/4-20 HEX EQUALIZER
5	1160484	ROLLER BEARING
6	1178339	WASHER
7	Service	HANDLE, CAFE 24 OVEN DOOR
8	1190976	BOLT 1/4-20X125' LG THIN
9	Service	W/A, CARRIAGE
10	Service	CARRIAGE, FACE PLATE
11	18A1S-2	COTTER PIN 1/16 X1

\* Quantity of part used may depend on width of section (32", 36", or 45")

\* Service means call a Southbend Parts/Service Department (919-762-1000)

Figure 2

**Cradle Parts**

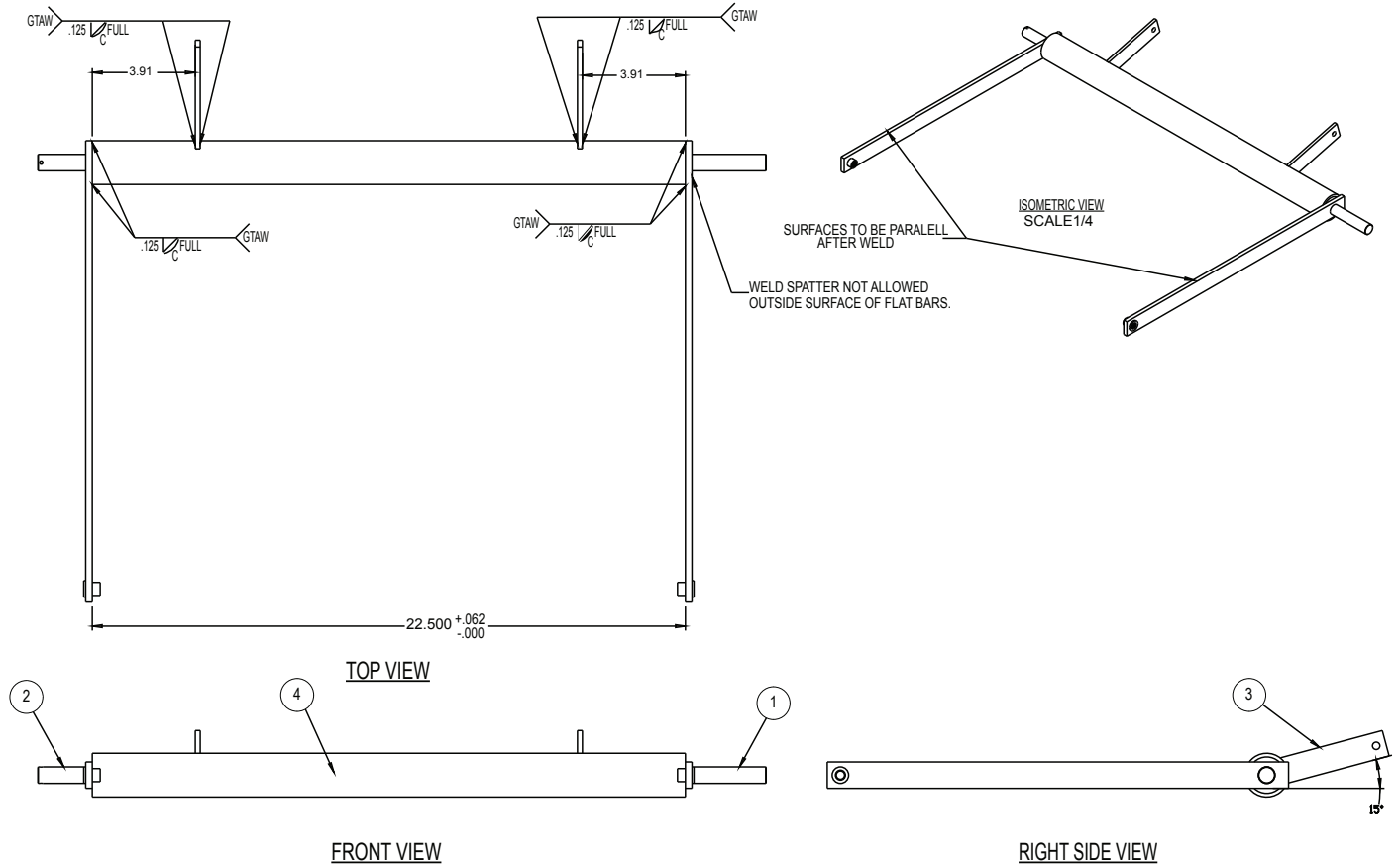
Key	Part Number	Description
1	1146924	NUT, 1/4-20 CASTLE, PLAIN
2	1146925	BOLT, 1/4-20 HEX EQUALIZER
3	1160484	ROLLER BEARING
4	1178339	WASHER
5	Service	W/A, CRADLE
6	18A1S-2	COTTER PIN, 1/16'X1'

\* Quantity of part used may depend on width of section (32", 36", or 45")

\* Service means call a Southbend Parts/Service Department (919-762-1000)

Figure 3

**Rack Parts**



Key	Part Number	Description
1	1191082	W/A, RACK ARM CONTROL
2	1191083	W/A RACK ARM
3	1191153	ARM SPRING CONNECTOR
4	Service	SHAFT, BAR

\* Quantity of part used may depend on width of section (32", 36", or 45")

\* Service means call a Southbend Parts/Service Department (919-762-1000)

**NATURAL GAS STEAKHOUSE BROILER**

<b>Part Number</b>	<b>Description</b>
1006436	BURNER ORIFICE
1176008	BURNER VALVE
1184384	PILOT ADJUST
1167782	REGULATOR PRESS, WC @ 6" NAT
1130399	BURNER, HI-GLOW
1130398	VENTURI ASSEMBLY, HI-GLOW
1-5371	CERAMIC TILE
1189600	KNOB
* Quantity of part used may depend on width of section (32", 36", or 45")	
* Service means call a Southbend Parts/Service Department (919-762-1000)	

**PROPANE GAS STEAKHOUSE BROILER**

<b>Part Number</b>	<b>Description</b>
1006451	BURNER ORIFICE
1176009	BURNER VALVE
1184384	PILOT ADJUST
1167783	REGULATOR PRESS, WC @ 10", PROPANE
1130399	BURNER, HI-GLOW
1130398	VENTURI ASSEMBLY, HI-GLOW
1-5371	CERAMIC TILE
1189600	KNOB
* Quantity of part used may depend on width of section (32", 36", or 45")	
* Service means call a Southbend Parts/Service Department (919-762-1000)	

Notes:

Notes:



Notes:

# PLATINUM STEAKHOUSE BROILER



A product with the Southbend name incorporates the best in durability and low maintenance. We all recognize, however, that replacement parts and occasional professional service may be necessary to extend the useful life of this appliance. When service is needed, contact a Southbend Authorized Service Agency, or your dealer. To avoid confusion, always refer to the model number, serial number, and type of your appliance.



Southbend  
1100 Old Honeycutt Road Fuquay-Varina, North Carolina 27526 USA  
[www.southbendnc.com](http://www.southbendnc.com)