



IMPORTANT FOR FUTURE REFERENCE Please complete this information and retain this manual for the life of the equipment:
Model #: _____
Serial #: _____
Date Purchased: _____

Parts Manual

Infrared Broilers



170



171



270



P32D-171

1100 Old Honeycutt Road Fuquay-Varina, North Carolina 27526 USA
www.southbendnc.com

Replacement parts may be ordered either through a Southbend Authorized Parts Distributer or a Southbend Authorized Service Agency. It is recommended to verify parts numbs with a Southbend Authorized Parts Supplier or the Southbend Parts/Service Department prior to ordering parts.

PARTS

The following tables and figures list serviceable parts. For parts that are not listed, contact a Southbend Authorized Parts Distributor or a Southbend Authorized Service Agency.

Table of Contents	
Page Number	Description
3	Broilers 170, 171, 270
5	Meat Rack Components
6	Meat Rack Frame
7	Outer Rack Frame
8	171 With Oven Base
10	Oven Base
12	Convection Oven Blower

Broilers 170, 171, 270

See drawing on following page

Key	Part Number	Description
1	1072998	PIPE ASM, SUPPLY
2	1106814	INDEX PLATE
3	1147201	TEE
4	1163875	BURNER ASM, INFRARED
5	1164080	SA, SUPPLY MANIFOLD, NATURAL GAS
6	1164085	VALVE ASM, PILOT
7	1164093	PILOT SUPPLY TOP
8	1172602	ELBOW ORIFICE 90 DEGREE
9	1173380	VALVE CVR, PILOT, RT W/A (SS)
10	1176291	BURNER SUPPLY / VENT TUBE
11	1176292	TUBE, PILOT SUPPLY
12	1176293	TUBE, PILOT SUPPLY
13	1179411	PILOT/ BRACKET ASM, NATURAL
14	1179483	TUBE, BURNER SUPPLY
15	1179484	TUBE, BURNER SUPPLY
16	1189600	KNOB, SECTIONAL
17	P5552	FITTING, 1/8NPTX1/4CC STRAIGHT
18	P9928-1	RIGHT SUPPLY PIPE
19	P9929	LEFT SUPPY PIPE
20	1146429	NUT, 10-24 KEP LOCK S/S
21	1194940	RETAINER, TILE HD BROILER
22	1163578	CERAMIC TILE (5 3/6 X 3 5/8)
23	1057515	FIBREFAX, 17-3/4'
24	1197899	SCREW, #10-24X 1/2 SLOT HEX SS
25	1176014	VALVE, BURNER, NATURAL
26	1176015	VALVE, BURNER, PROPANE
27	1179412	4-PILOT/BRACKET ASM, PROPANE
28	1168212	PILOT SHIELD
29	1148301	NUT, 3/8-27 BRASS JAM
30	1176664	PILOT, NATURAL
31	1176665	PILOT, PROPANE
32	1099103	FERRULE, 1/8 BRASS
33	1199104	NUT, 1/8 CC BRASS
34	1176295	PILOT SUPPLY TUBE, RT
35	1176294	PILOT SUPPLY TUBE, LT
36	1061298	UNION, 1/4CC BRASS

Figure 1

Broilers 170, 171, 270

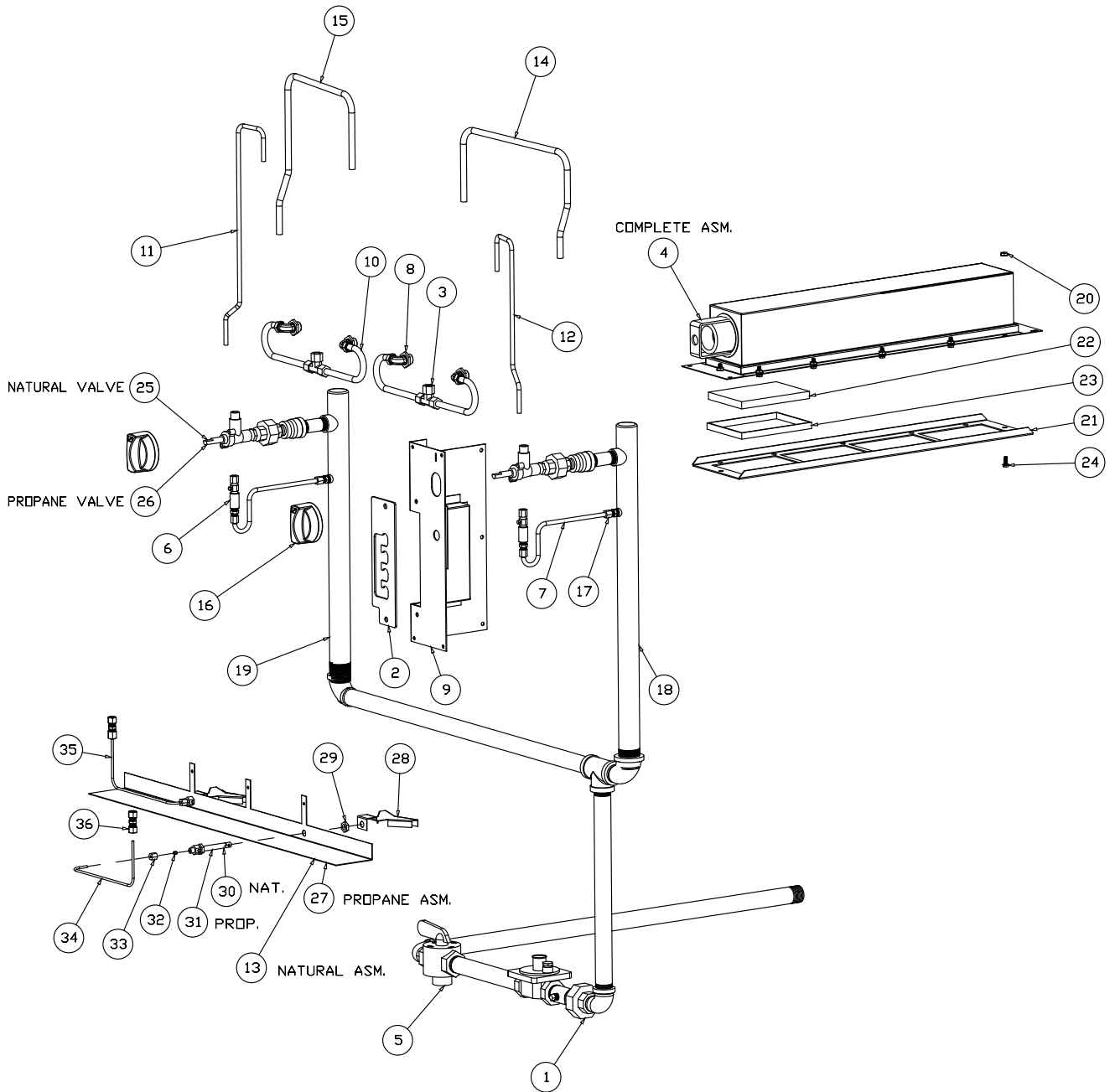
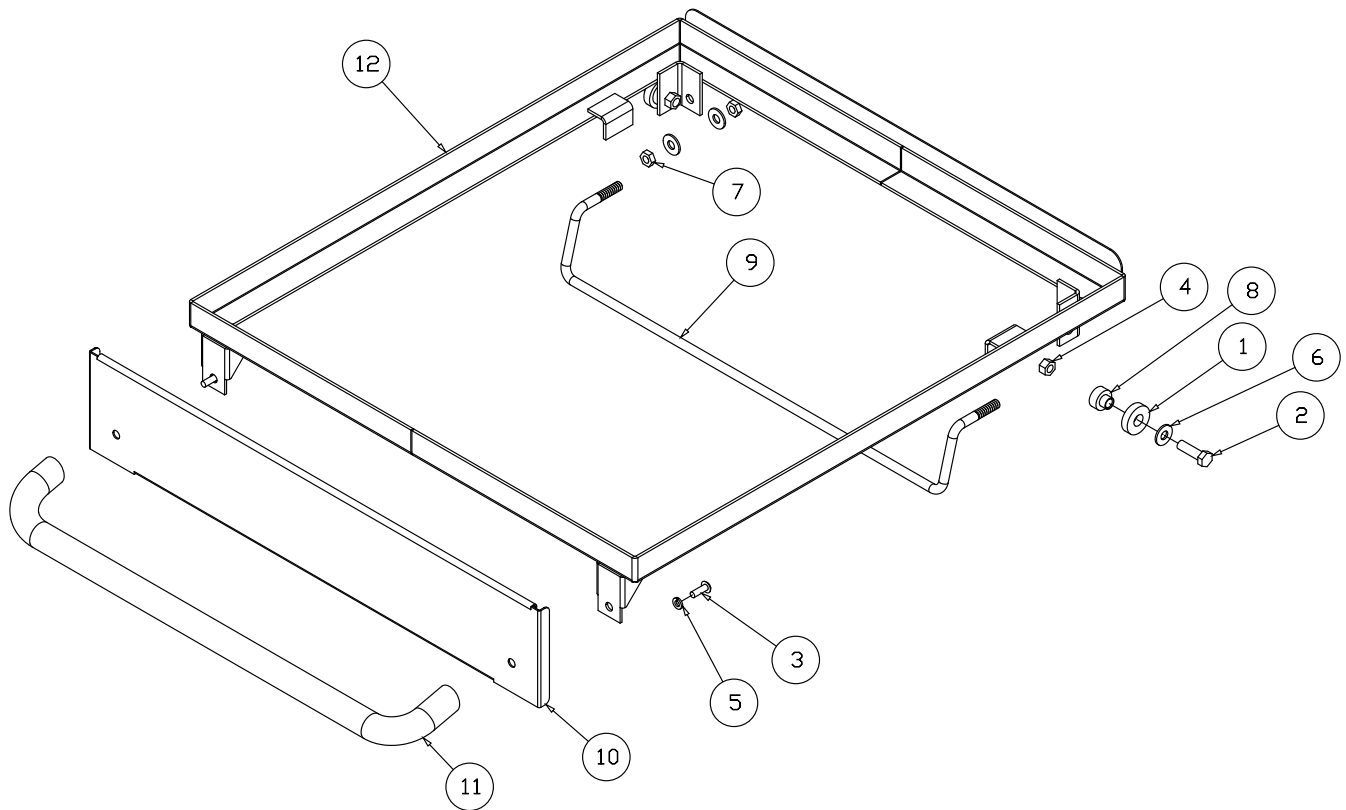


Figure 2

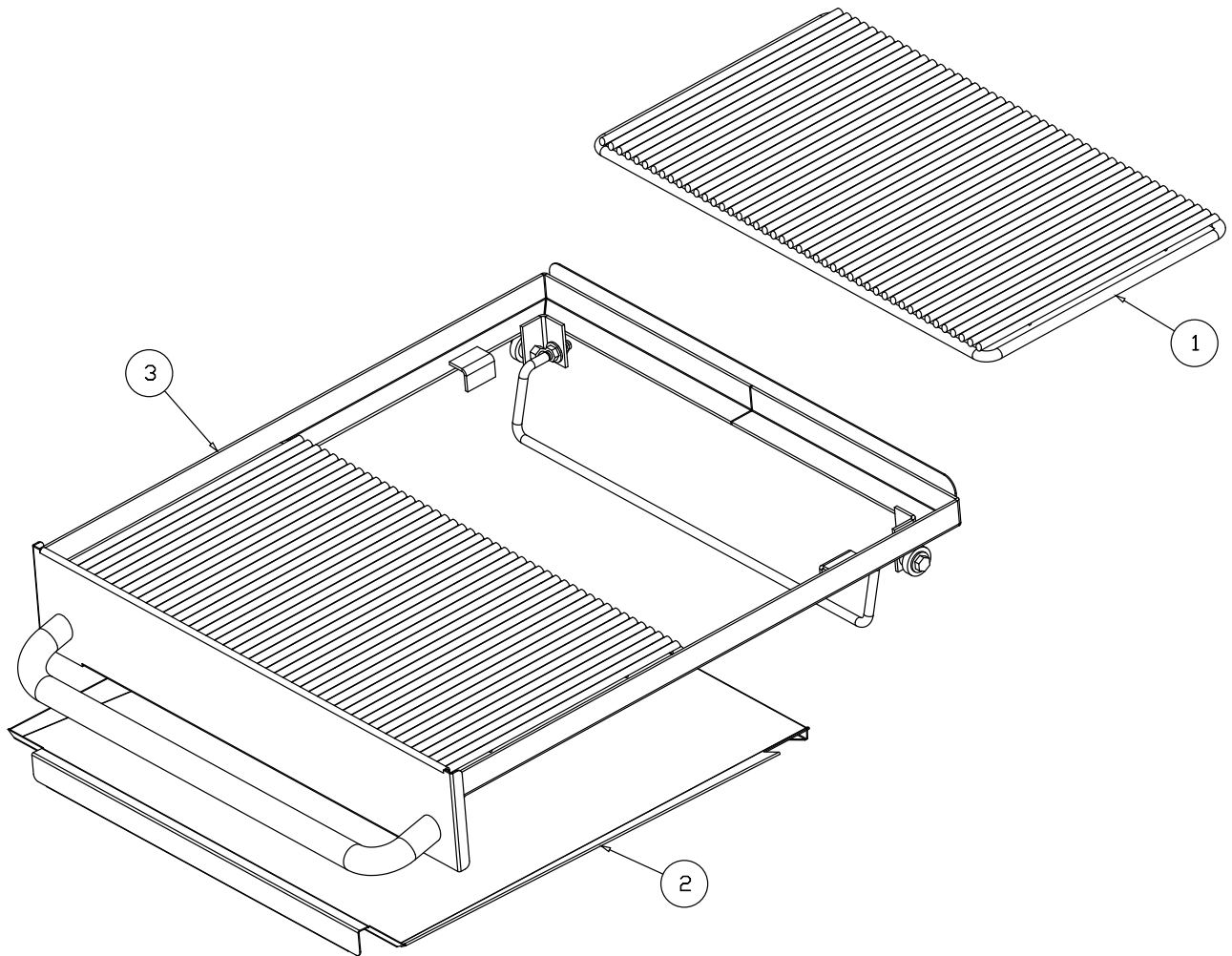
Meat Rack Components



Key	Part Number	Description
1	1-3507	BEARING, BALL
2	1146214	BOLT, 3/8-16 x 1-1/4* hex HD
3	1146224	BOLT, 1/4-20 X 3/4" LG. RND HD.
4	1146403	NUT 3/8-16, HEX HEAD
5	1146500	WASHER 1/4 LOCK
6	1146505	WASHER 5/16 FLAT
7	1164551	NUT, 3/8-16 HEX ZN
8	1173384	BEARING, SPACER
9	1179406	BRACKET ROD
10	1182380	RACK FRAME FRONT
11	1184227	HANDLE, CHROME BROILER RACK
12	1197692	RACK FRAME W/A

Figure 3

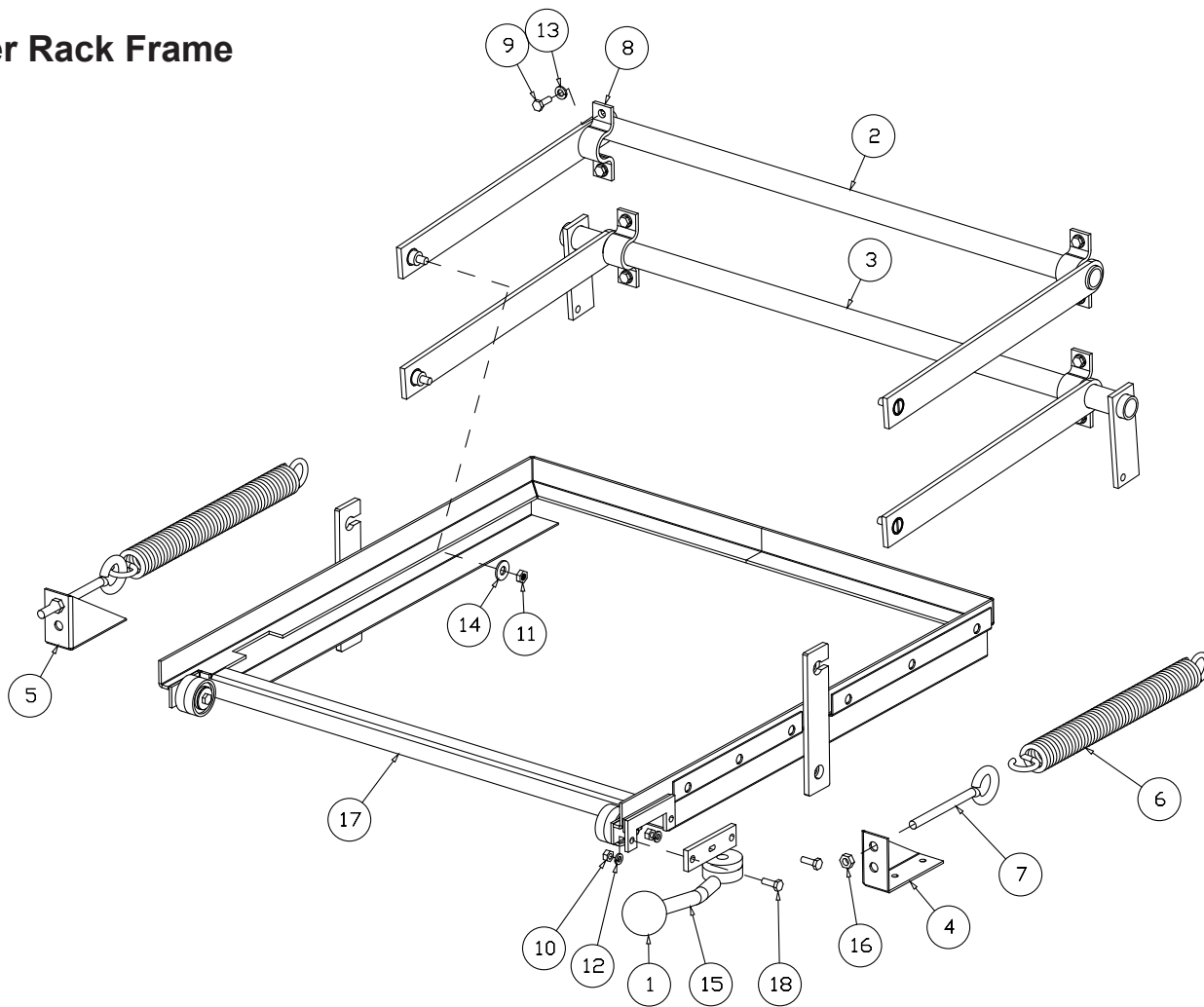
Meat Rack Frame



Key	Part Number	Description
1	1119598	BROILER RACK
2	1182381	RACK PAN
3	1185448	RACK FRAME ASM

Figure 4

Outer Rack Frame



Key	Part Number	Description
1	1-5962	KNOB, SALAMANDER, RACK ADJUST
2	414	ARM, PARALLEL, UPPER
3	415	LOWER PARALLEL ARM
4	1048300	MOUNT, SPRING
5	1048301	MOUNT SPRING LT
6	1060500	SPRING, RACK
7	1062200	BOLT, EYE, ZINC
8	1123700	BRACKET, PAR ARM
9	1146201	SCREW, 1/4-20X3/4 HEX HEAD
10	1146402	NUT 1/4-20, HEX HEAD
11	1146404	NUT, 5/16-18, HEX HEAD
12	1146500	WASHER 1/4, LOCK
13	1146502	WASHER, 5/16/SPLIT LOCK
14	1146505	WASHER 5/16, FLAT
15	1171715	HANDLE W//A
16	1175334	NUT, 3/8 SS HEX
17	1179497	RACK FRAME ASM
18	A3333	BOLT, 1/4-20X3/4 18-8S/S HEX

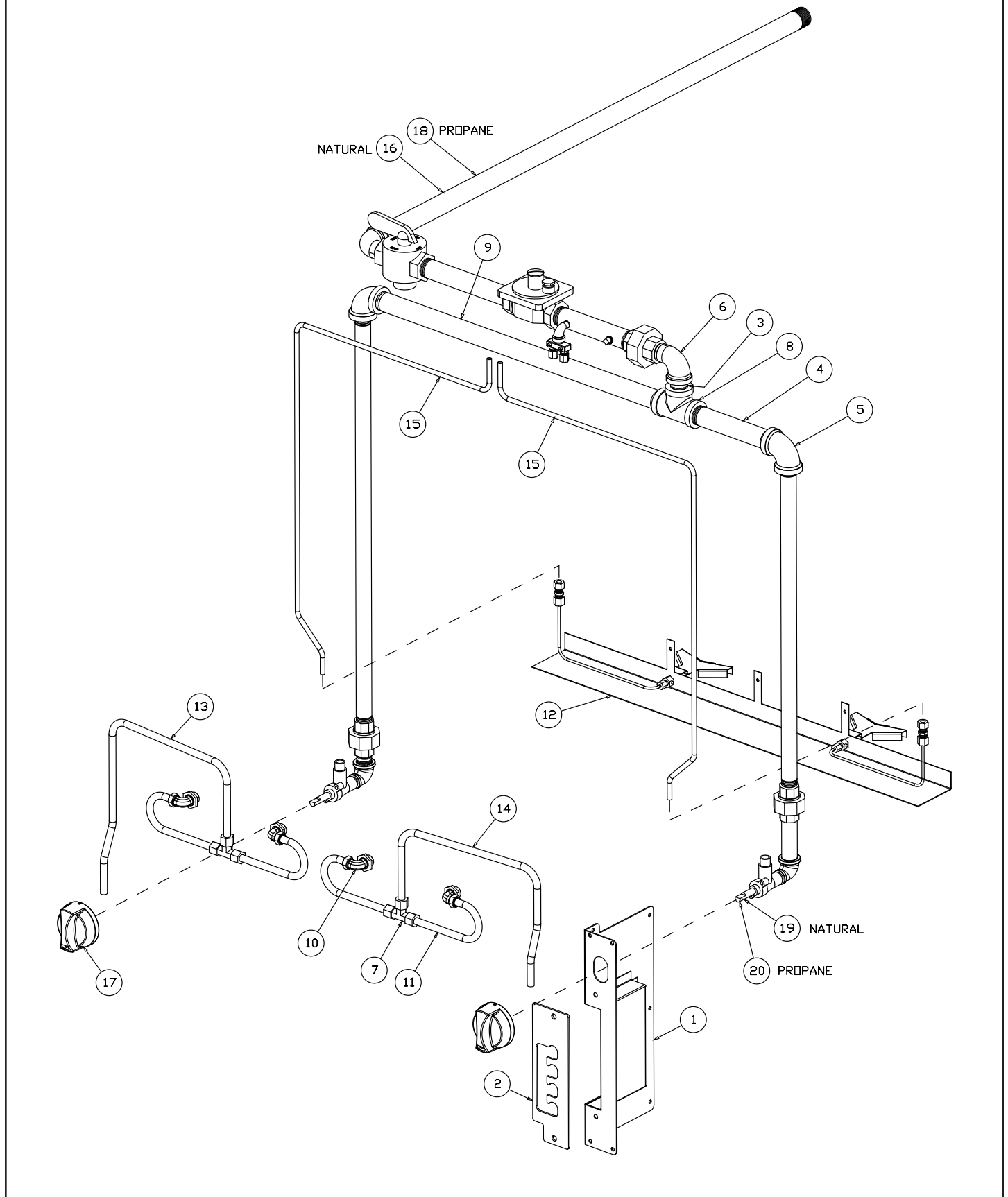
171 With Oven Base

See drawing on following page

Key	Part Number	Description
1	4254	RT VALVE COVER PLATE ASSY
2	1106814	INDEX PLATE
3	1146801	NIPPLE, PIPE
4	1146831	NIPPLE, PIPE, BLK, 3/4" X 6"
5	1146904	FITTING, ELBOW 90 DEG
6	1146910	ELBOW 90 DEG, STREET
7	1147201	TEE
8	1147304	TEE, PIPE, BLK 3/4
9	1163506	PIPE, 3/4" X 20 1/2"
10	1172602	ELBOW ORIFICE 90 DEGREE
11	1176291	BURNER SUPPLY / VENT TUBE
12	1179411	PILOT / BRACKET ASM, NAT
13	1179491	TUBE, BURNER SUPPLY, LEFT
14	1179492	TUBE BURNER SUPPLY, RIGHT
15	1179493	TUBE PILOT SUPPLY
16	1179499	SA SUPPLY, MANIFOLD NAT
17	1189600	KNOB SECTIONAL
18	1164279	SA, BURNER / PILOT, PROPANE
19	1176014	VALVE, BURNER, NATURAL
20	1176015	VALVE, BURNER, PROPANE

Figure 5

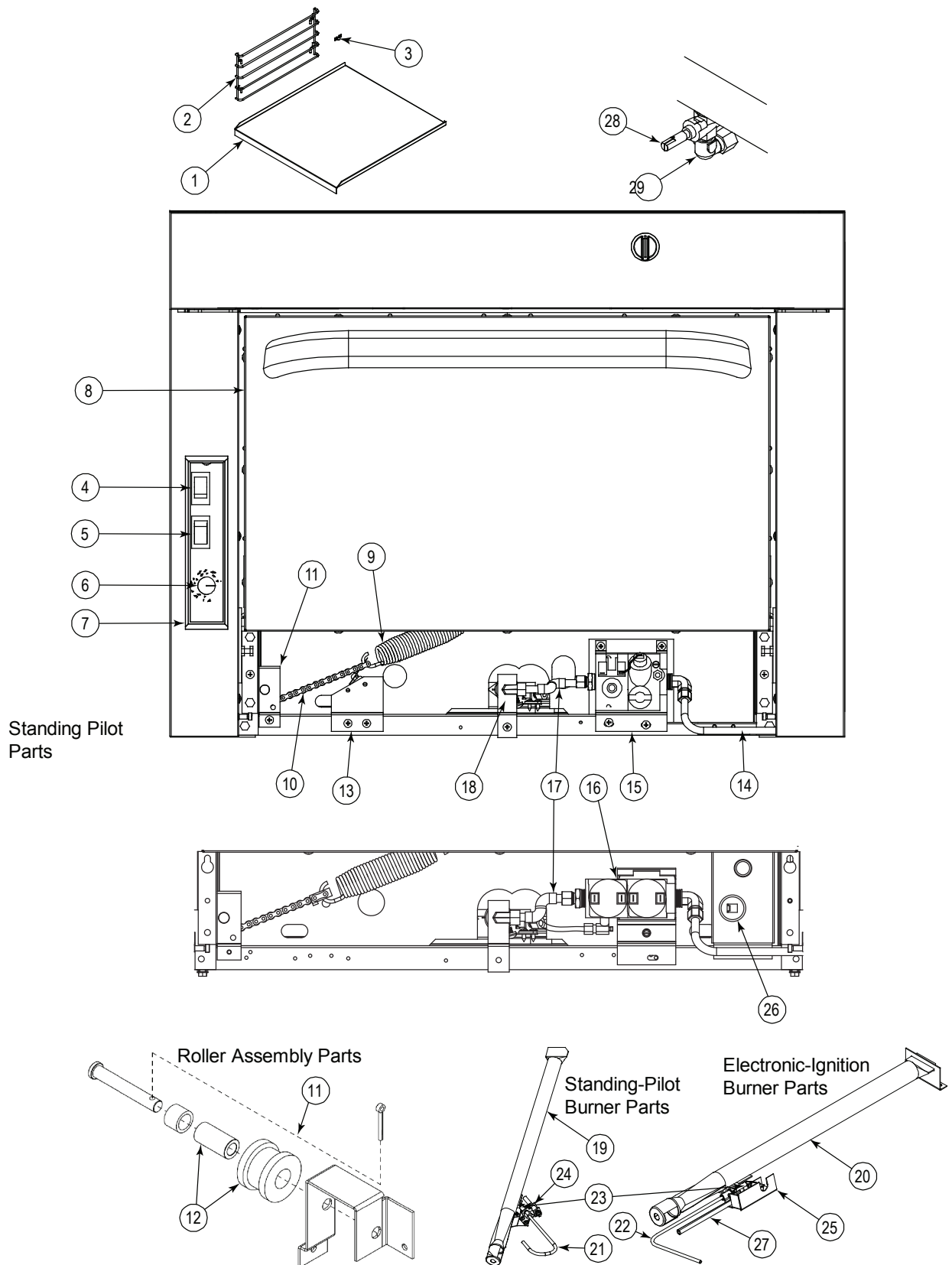
171 With Oven Base



Oven Base		
See drawing on following page		
Key	Part Number	Description
1	1180776	BAFFLE W/A OVEN BOTTOM/FLAME
2	1180528	RACK GUIDE
3	6600	CLIP, SIDE RACK SUPPORT
4	1186598	POWER SWITCH
5	1186599	ON/OFF FUN SWITCH, (FOR CO OVEN)
6	1189754	KNOB, OVEN THERMOSTAT
7	1191727	THERMOSTAT (UNITS FOR STANDING PILOT)
	1189744	THERMOSTAT (UNITS FOR ELECTRIC IGNITION)
	1194698	THERMOSTAT (UNITS WITH STANDING PILOTS, 650 DEGREE OVEN)
8	1195100	DOOR, ASM 36 OVEN
9	1186547	SPRING, WIRE
10	1195098	ASM, LEFT DOOR CHAIN SWITCH CO OVEN
	1195092	ASM, DOOR CHAIN, STD OVEN
11	1195097	BRACKET ASM, LEFT ROLLER
12	1191734	ASM, PULLEY AND BUSHING
13	1195149	DOOR SWITCH, S/A LEFT
	1177567	SWITCH DOOR OVEN
14	1189812	TUBE, FLEX, 3/8 X 47"
15	1188788	COMBINATION VALVE, 120V/60 (UNITS WITH STANDING PILOTS)
16	1185333	SOLENOID & VALVE, 120V/60 (UNITS WITH ELECTRONIC IGNITION)
17	1187476	TUBE, FLEX, 3/8 X 47"
18	1183568	BRACKET ORIFICE
19	1187994	BURNER & PILOTS, ASM OVEN NATURAL (UNITS WITH STANDING PILOT)
	1187993	BURNER & PILOTS, ASM OVEN PROPANE (UNITS WITH STANDING PILOT)
20	1194918	BURNER & PILOTS, ASM OVEN NATURAL (UNITS WITH ELECTRONIC IGNITION)
	1183567	BURNER & PILOTS, ASM OVEN PROPANE (UNITS WITH ELECTRONIC IGNITION)
	1165733	BURNER FOR ABOVE ASSEMBLIES
	1187672	PILOT TUBE (UNITS WITH STANDING PILOT)
	1185851	PILOT TUBE (UNITS WITH AUTO IGNITION)
	1199917	PILOT, GAS OVEN, NATURAL
	1168263	PILOT, GAS OVEN PROPANE
	1186218	PILOT SHIELD (UNITS WITH STANDING PILOT)
	1183504	PILOT SHIELD BRACKET (UNITS WITH ELECTRONIC IGNITION)
	5373-1	IGNITION MODULE
	1164087	ELECTRODE (UNITS WITH ELECTRONIC IGNITION)
	1176099	VALVE, BURNER
	1164148	ELBOW, FEMALE 3/8 NPT X 3/8CC

Figure 6

Oven Base



Standing Pilot Parts

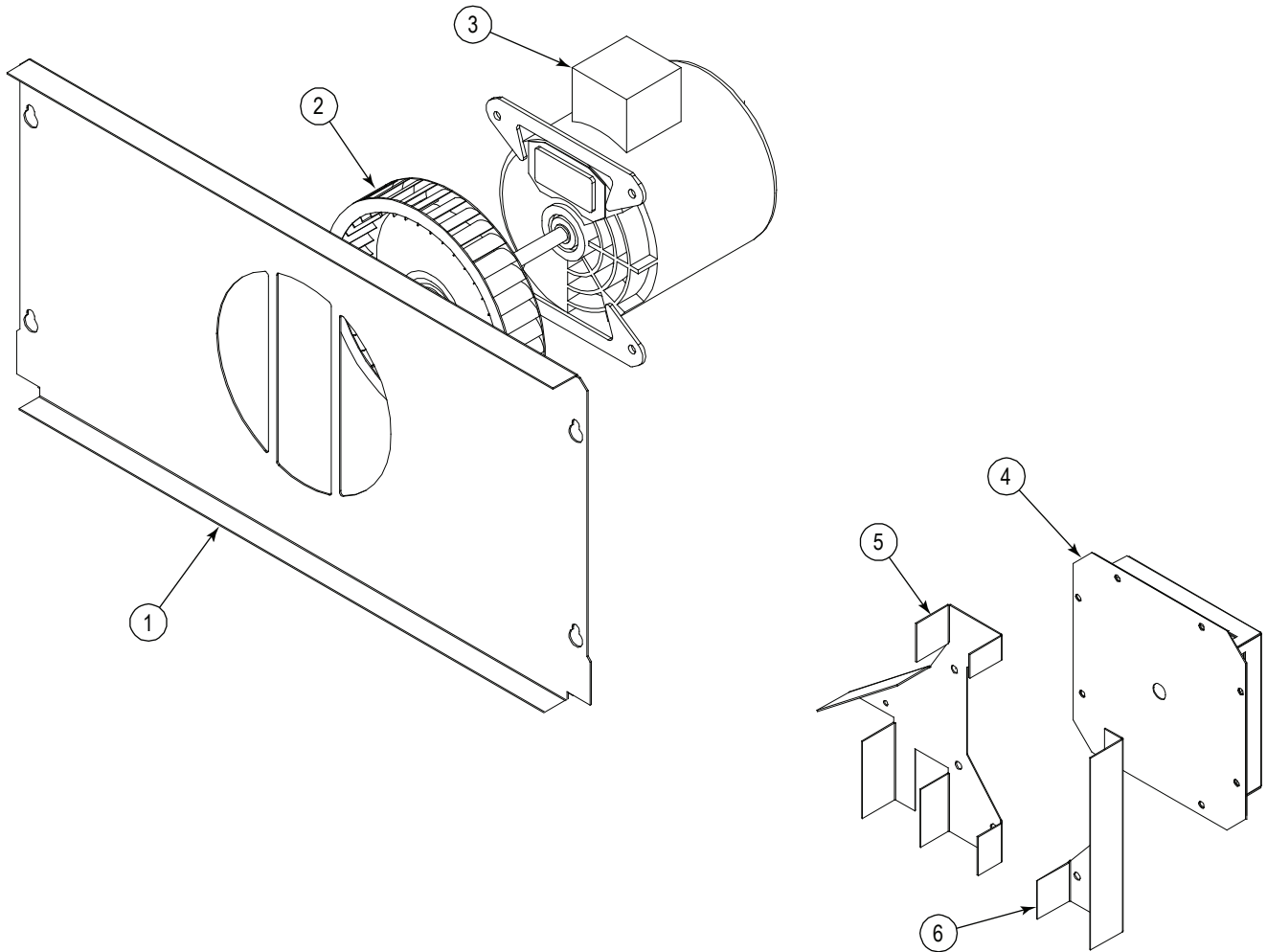
Roller Assembly Parts

Standing-Pilot Burner Parts

Electronic-Ignition Burner Parts

Figure 7

Convection Oven Blower



Key	Part Number	Description
1	1180834	OVEN BAFFLE CO
2	1177520	BLOWER WHEEL
3	1194780	MOTOR, 1/2 HP, 115 VOLT
4	1194781	208/240 VOLT
5	1180821	POCKET W/A, BLOWER, 500 SERIES
6	1181747	SHIELD, RT BLOWER, 500 SERIES
7	1181748	SHIELD, RT BLOWER, 500 SERIES

INFRARED BROILER PARTS

Notes:

Notes:

INFRARED BROILER PARTS

Notes:

INFRARED BROILERS



A product with the Southbend name incorporates the best in durability and low maintenance. We all recognize, however, that replacement parts and occasional professional service may be necessary to extend the useful life of this appliance. When service is needed, contact a Southbend Authorized Service Agency, or your dealer. To avoid confusion, always refer to the model number, serial number, and type of your appliance.



Southbend
 1100 Old Honeycutt Road Fuquay-Varina, North Carolina 27526 USA
www.southbendnc.com