



**BE2136
CONVEYOR OVEN
REPLACEMENT PARTS MANUAL
(with WIRING DIAGRAMS)**



EFFECTIVE with SERIAL #401811005 and AFTER

Serial # Code
First 4 digits - order of production
Fifth digit - model specific
Sixth and Seventh digit - month of production
Eighth and Ninth digit - year of production

Table of Contents: Page 2

BLODGETT CONVEYOR OVENS, 1400 Toastmaster Drive, Elgin, IL 60120
Telephone: 847-741-3300 • Fax Number 847-741-4406

www.blodgett.com

email: techsupport@middleby.com

Table of Contents

Spec Sheet.....	3
Key Parts.....	5
View of Installation Kit	6
Parts for Installation Kit	7
View of Panels, End Plugs and Window	8
Parts for Panels, End Plugs and Window	9
View of Right-hand Electrical Compartment	10
Parts for Right-hand Electrical Compartment	11
View of Left-hand Electrical Compartment	12
Parts for Left-hand Electrical Compartment	13
View of Rear Compartment and Blowers	14
Parts for Rear Compartment and Blowers	15
View of Single-Belt Conveyor.....	16
Parts for Single-Belt Conveyor.....	17
View of Split-Belt Conveyor	18
Parts for Split-Belt Conveyor	19
Standard Finger Placement and Part Numbers.....	20
Wiring Diagrams (electrical schematics)	
Blodgett BE2136 E208–240 Volt, 3 Phase ENG/UK/GM/FR/SP 58214D	21
Blodgett BE2136 E380–480 Volt, 3 Phase ENG/UK/GM/FR/SP 58267C	22
Blodgett BE2136 E208–240 Volt, 3 Phase IT/GR/DN/DU 58245C.....	23
Blodgett BE2136 E380–480 Volt, 3 Phase IT/GR/DN/DU 58269C	24
Blodgett BE2136 E380V CE, 3 Phase UK/GM/FR/SP 58330C	25
Blodgett BE2136 E380V CE, 3 Phase IT/GR/DN/DU 58332C.....	26



MODELS BE2136 & BG2136 Electric/Gas Conveyor Oven



- OPTIONS AND ACCESSORIES**
(AT ADDITIONAL CHARGE)
- Cord set, locking plug and receptacle (domestic gas ovens only)
 - High speed conveyor (1-10 minutes)
 - Solid front
 - Twin belt with individually adjustable speed settings
 - One year additional extended warranty*



Project _____
 Item No. _____
 Quantity _____

Blodgett conveyor oven with 20" (508mm) wide conveyor assembly and 36" (915mm) baking zone length. Single, double or triple stack models. Stacking kits available for stacking with existing SG2136 oven.

All data is shown per oven section, unless otherwise indicated.

EXTERIOR CONSTRUCTION

- Stainless steel front, top, bottom and sides
- Aluminized steel back
- Full drop down front window

INTERIOR CONSTRUCTION

- Stainless steel outer plates
- Stainless steel wire mesh conveyor belt assembly
- Two blower inlets in the plenum for air circulation
- Upper and lower air fingers

OPERATION

- Heat transferred through forced convection (impingment)
- Open vented baking compartment
- Solid state digital controls to display set point and actual temperature as well as belt speed
- Electronic spark ignition control system (gas model)
- Atmospheric type burner (gas model)
- Internal gas pressure regulator (gas model)
- Tubular resistance elements (electric model)
- Solid state speed control with motor feedback
- Two circulation blower motors
- 3-30 minute bake time

STANDARD FEATURES

- Front mounted digital control
- Large front loading door with window and stainless steel handle
- Folding removable conveyor belt assembly
- Adjustable belt tensioning feature
- Field reversible belt direction
- One 8" extension tray
- Product stop
- Flexible gas hose with quick disconnect and restraining device
- Lower shelf on single and double stack ovens
- Oven start-up*
- One year parts & labor warranty*

* For all international markets, contact your local distributor.

BE2136 & BG2136

BLODGETT OVEN COMPANY

www.blodgett.com

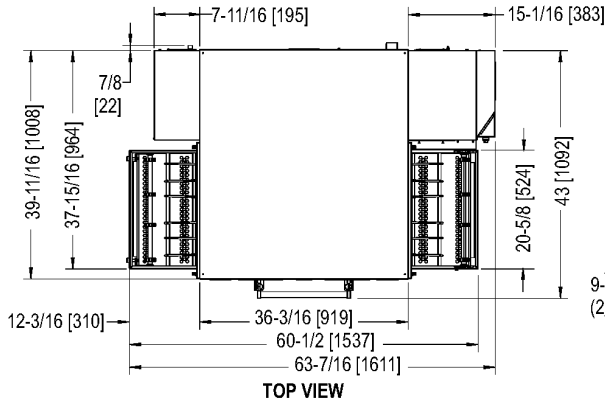
1400 Toastmaster Drive, Elgin, IL USA 60120 • Phone: (847) 741-3300 • Fax: (847) 741-0015



MODEL BE2136 & BG2136

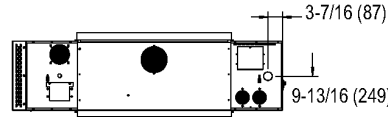


APPROVAL/STAMP

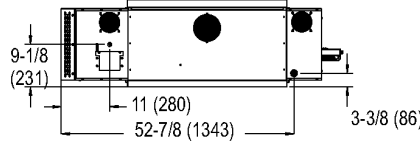


TOP VIEW

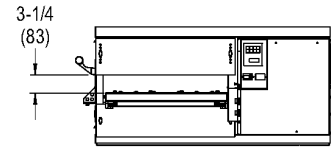
DIMENSIONS ARE IN INCHES [MM]



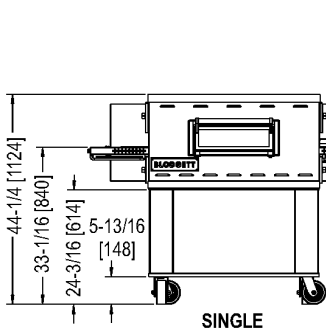
BE2136 REAR VIEW



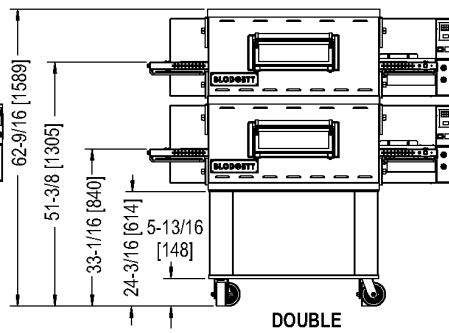
BG2136 REAR VIEW



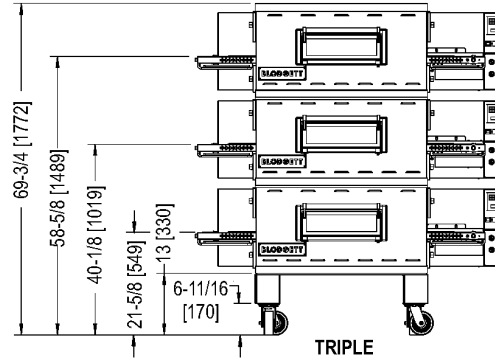
END VIEW



SINGLE



DOUBLE



TRIPLE

SHORT FORM SPECIFICATIONS

Provide Blodgett conveyor model BE2136 (electric) or BG2136 (gas) conveyor oven. Unit shall cook by means of forced, heated air. Unit shall be (single/double/triple) deck. Each deck shall be fully independent, of stainless steel construction, and fully insulated on all sides. Provide with (electronic spark ignition gas fired/electrically heated) baking compartment with two blowers to evenly distribute heat across baking zone. Conveyor belts shall be single - 18" (457mm) belt constructed of stainless steel wire mesh; baking zone length shall be 36" (915mm). Unit shall be provided with drop down front window. Control panel shall be solid state with 550°F (288°C) maximum thermostat and LCD display of 3-30 minutes adjustable belt speed. Provide start-up inspection service by a factory authorized service agent. Provide options and accessories as indicated.

DIMENSIONS:

Floor space	60" (1524mm) W x 43" (1092mm) L		
Product clearance	3-1/4" (83mm)		
Combustible wall clearance	Left	Right	Rear
BE2136	0" (0mm)	0" (0mm)	3" (76mm)
BG2136	1" (25mm)	1" (25mm)	3" (76mm)
Baking zone			
Width	20" (508mm)		
Length	36" (914mm)		

MAXIMUM INPUT: (per section)

BE2136	17 kW
BG2136	76,000 BTU/hr (22 KW) (80 MJ/hr)

GAS SUPPLY: (specify)

	Natural	Propane
Oven per cavity	1/2" NPT	1/2" NPT
Main gas supply	2" line	1-1/2" line
Minimum Gas Pressure:	6" W.C.	11.0" W.C.
Maximum Gas Pressure:	12" W.C.	14" W.C.

POWER SUPPLY (must have dedicated ground)

BE2136		
Domestic	208 VAC, 50/60 hz, 3 ph, 47amp, 3-wire plus ground	
	240 VAC, 50/60 hz, 3 ph, 41 amp, 3-wire plus ground	
International	380 VAC, 50/60 hz, 3 ph, 26 amp, 3-wire plus N and ground	
	480 VAC, 50/60 hz, 3 ph, 20 amp, 3-wire plus N and ground	
CE	380 VAC, 50 hz, 3 ph, 26 amp, 3-wire plus N and ground	
BG2136		
All	208-240 VAC, 50/60 Hz, 1 ph, 6 amp., 2-wire plus ground	

MINIMUM ENTRY CLEARANCE:

Uncrated 19-1/2" (495mm)

SHIPPING INFORMATION:

Approx. Weight:

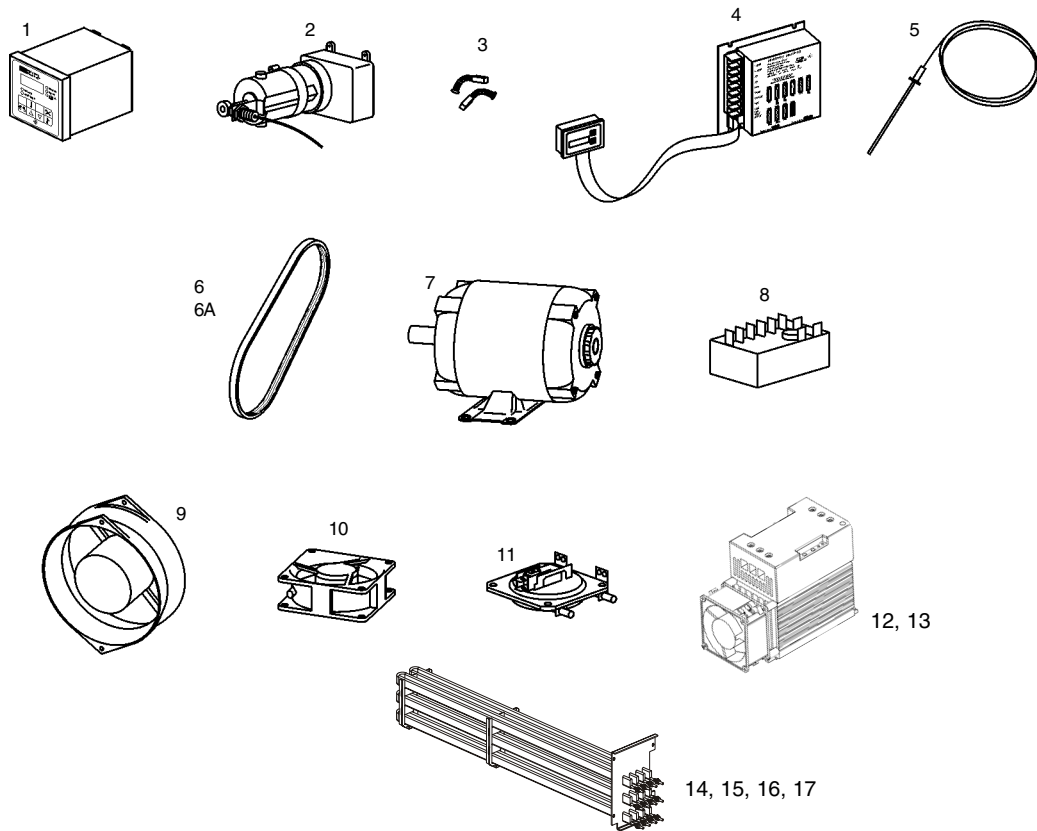
Single	658 lbs. (299 kg)
Double	1255 lbs. (570 kg)
Triple	2449 lbs. (1112 kg)

NOTE: The company reserves the right to make substitutions of components without prior notice

BLODGETT OVEN COMPANY

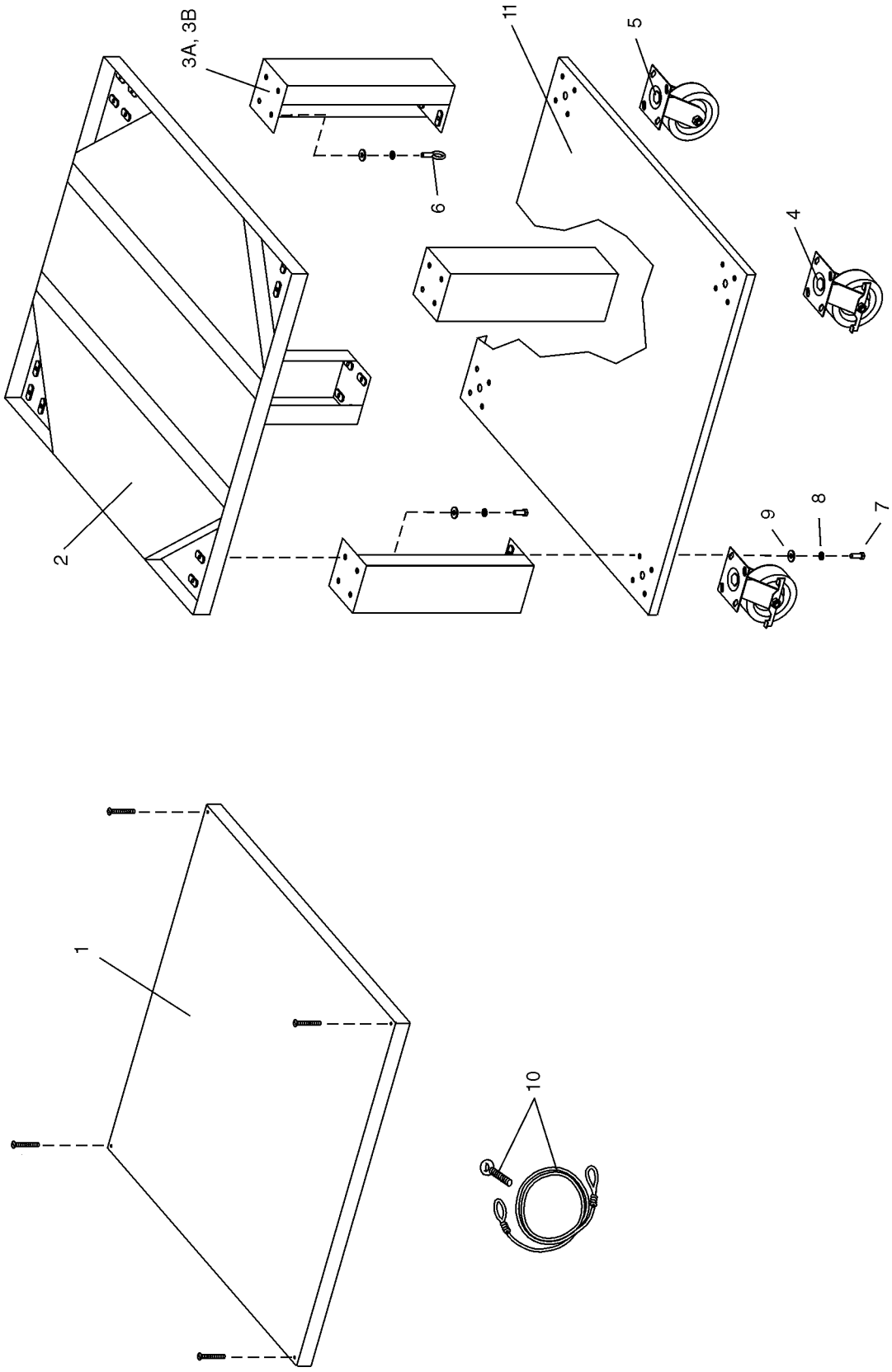
www.blodgett.com • 1400 Toastmaster Drive, Elgin, IL USA 60120 • Phone: (847) 741-3300 • Fax: (847) 741-0015

BE2136 ELECTRIC CONVEYOR OVEN KEY PARTS



ITEM	QTY USED		P/N	DESCRIPTION
	SINGLE BELT	TWIN BELT		
1	1	1	47321	DIGITAL TEMPERATURE CONTROLLER
2	1	2	58390	CONVEYOR DRIVE MOTOR W/MAGNET
3	1	2	58484	KIT (2-BRUSHES, 2-CAPS)
4	1	2	37337	KIT, CONVEYOR SPEED CONTROLER
5	2	2	33984	KIT, THERMOCOUPLE 6"
6	1	1	50517	BELT, BLOWER, HIGH RPM (2400)
6A	1	1	51428	BELT, BLOWER, STANDARD RPM (1725)
7	1	1	44687	MOTOR, BLOWER, 208/230V, 1/2HP
8	1	1	33983	HIGH LIMIT CONTROL MODULE, 240V
9	1	1	36451	COOLING FAN (BACKWALL)
10	1	1	97525	COOLING FAN (CONTROL COMPARTMENT)
11	1	1	54953	AIR SWITCH
12	2	2	44914	SOLID STATE RELAY WITH COOLING FAN 208V/240V
13	2	2	44568	SOLID STATE RELAY WITH COOLING FAN 380V/480V
14	1	1	58238	HEATER 208V 17kW
15	1	1	50232	HEATER 240V 17kW
16	1	1	50587	HEATER 380V 17kW
17	1	1	50589	HEATER 480V 17kW

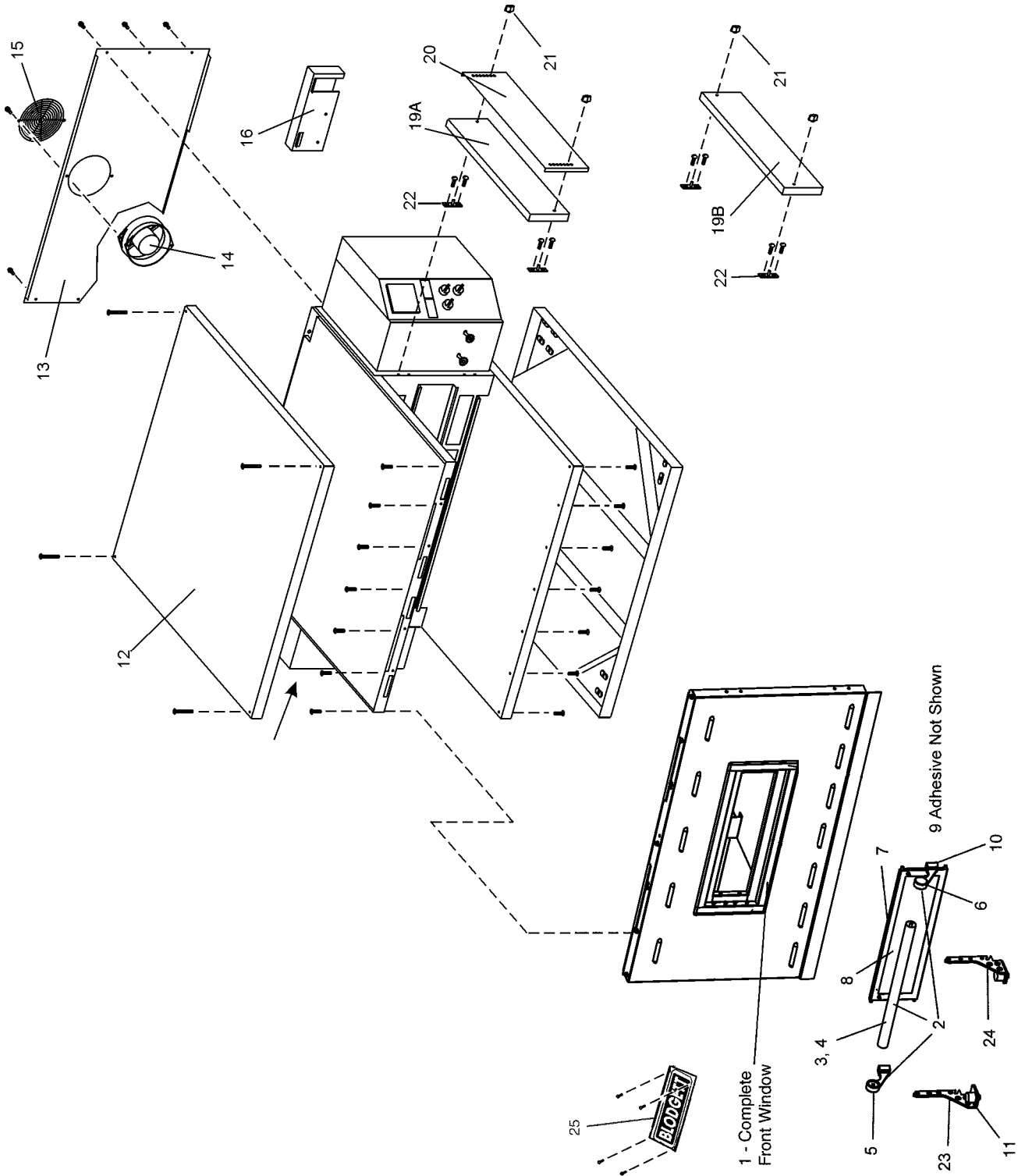
View of INSTALLATION KIT



Parts for INSTALLATION KIT (DOMESTIC)

ITEM	QTY.		P/N	DESCRIPTION
	SINGLE OVEN	DOUBLE OVEN		
1	1	1	48605	TOP PANEL
2	1	1	51977	BASEPAD, W/INSULATION
3A	4	4	42890	17-1/2" (445mm) LEG EXTENSION, FOR SINGLE AND DOUBLE OVENS
3B	--	--	44799	6" (152mm) LEG EXTENSION, FOR TRIPLE OVENS
4	2	2	22290-0009	CASTER, WITH FLAT PLATE AND BRAKE
5	2	2	22290-0010	CASTER, WITH FLAT PLATE (NO BRAKE)
6	1	1	21392-0004	EYEBOLT, 3/4"
7	31	31	220373	HEX BOLT, 3/8"-16 x 1"
8	32	32	21416-0001	FLAT WASHER, 3/8"
9	32	32	21422-0001	LOCKWASHER, 3/8"
10	1	1	22450-0228	RESTRAINT CABLE ASSEMBLY
11	1	1	46393	LOWER SHELF - (LIP DOWN POSITION)

View of PANELS, END PLUGS and WINDOW

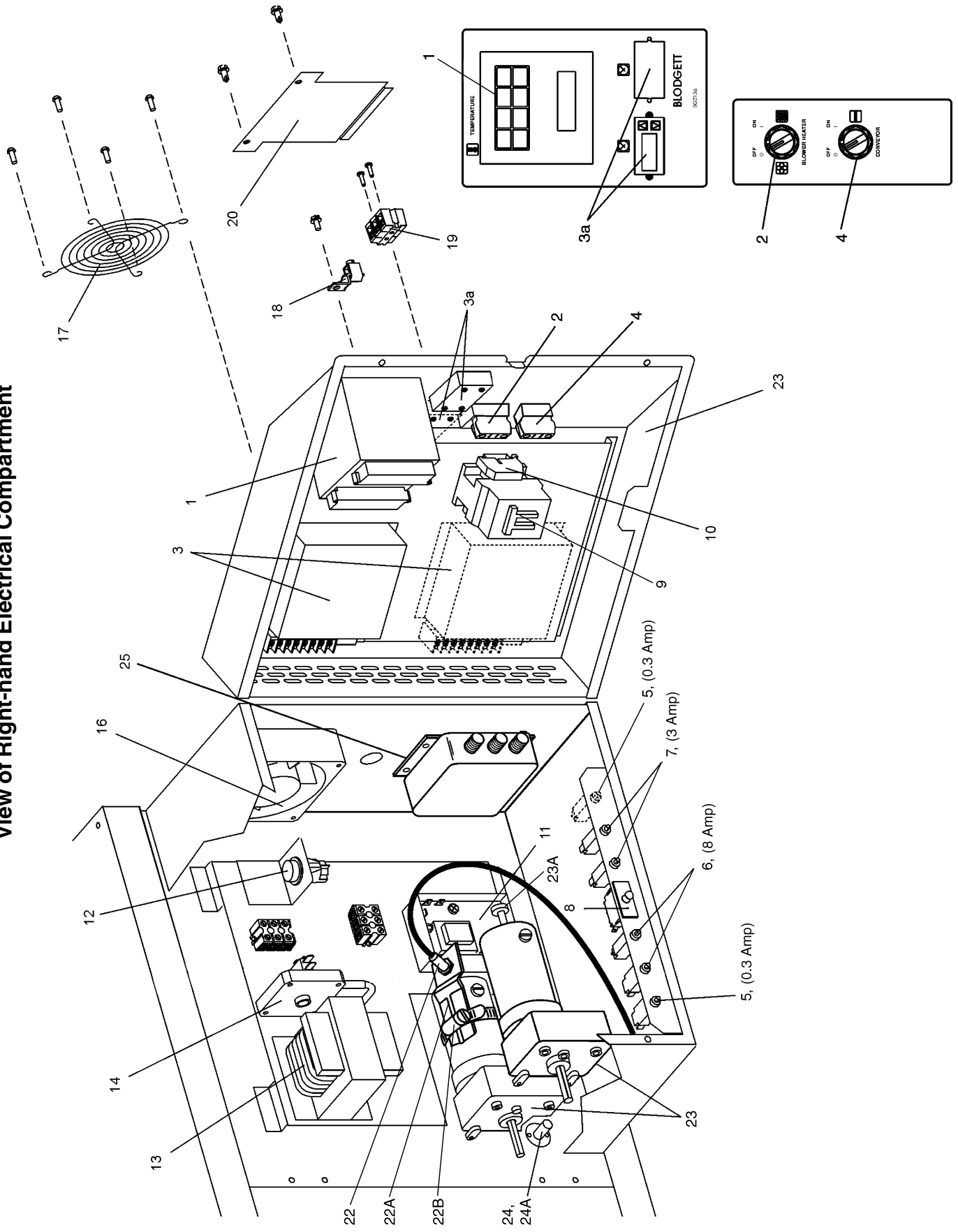


Parts for PANELS, END PLUGS and WINDOW

ITEM QTY.	P/N	DESCRIPTION
1	51054	ASSEMBLY, WINDOW, w/HANDLE, ITEMS 1-10
2	51081	ASSEMBLY, HANDLE, ITEMS 3-6
3	M10092	HANDLE, OUTER
4	M10127	HANDLE, INNER THREADED
5	M1115	HANDLE, BRACKET (LEFT)
6	M1116	HANDLE, BRACKET (RIGHT)
7	51087	FRAME AND WINDOW, ITEMS 8-9
8	M10198	GLASS, 4.1" X 15.150"
9	M1965	ADHESIVE (NOT SHOWN)
10	M1118	SCREW--ATTACHES HANDLE
11	30927	BUMPER
12	48605	TOP PANEL

ITEM QTY.	P/N	DESCRIPTION
13	47633	BACK WALL
14	36451	COOLING FAN
15	31497	FINGER GUARD, COOLING FAN
16	See pp. 16-19	CHAIN COVER, UPPER
19A	50161	END PLUG, TOP
19B	48622	END PLUG, BOTTOM
20	42771	SLIDE, OUTER SIDE
21	36452	WING NUT, PLASTIC
22	48640	BRACKET, END PLUG MOUNTING
23	51210	BRACKET, WINDOW HINGE (LEFT)
24	51211	BRACKET, WINDOW HINGE (RIGHT)
25	57399	BLODGETT NAMEPLATE

View of Right-hand Electrical Compartment

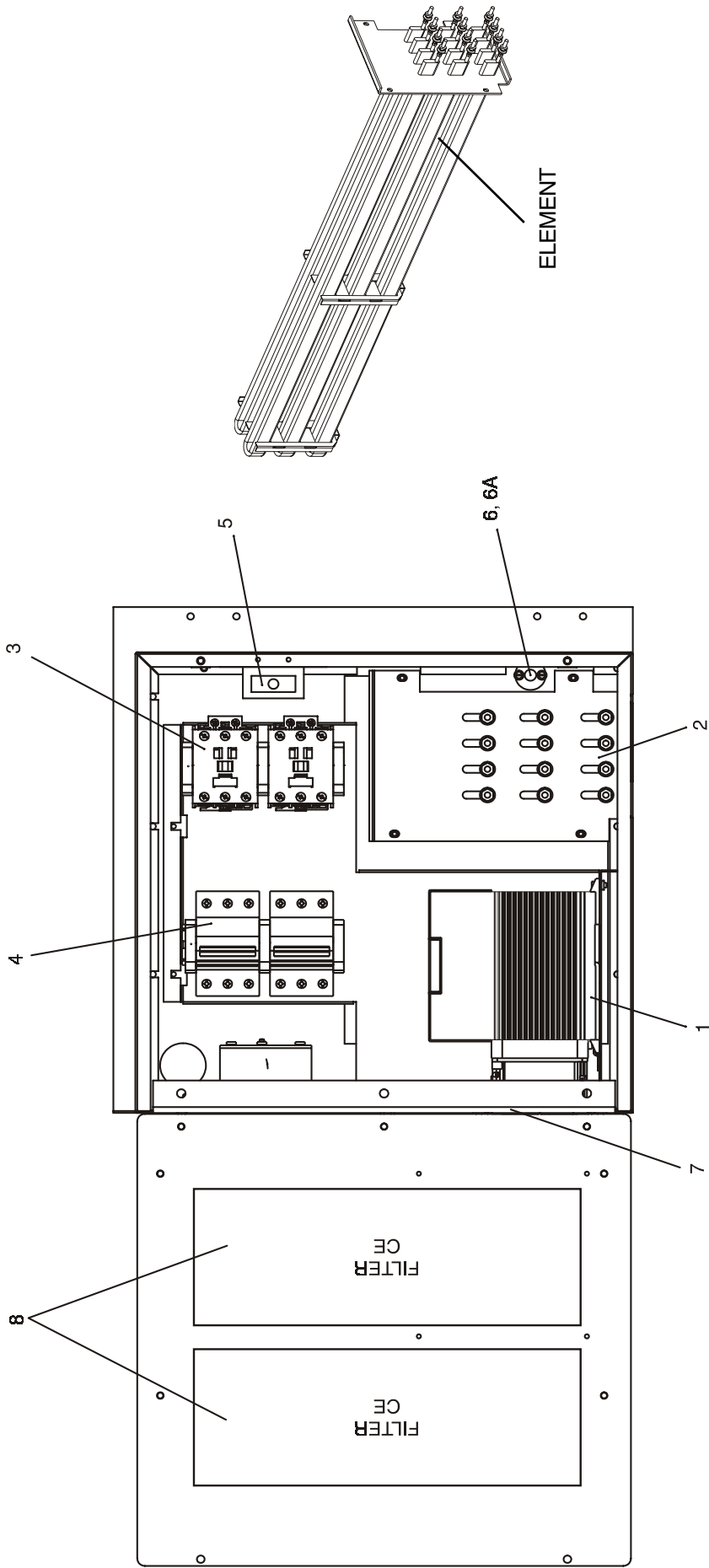


Parts for Right-hand Electrical Compartment

ITEM	QTY.	SINGLE BELT	SPLIT BELT	P/N	DESCRIPTION
1	1	1	1	47321	DIGITAL TEMPERATURE CONTROLLER
2	1	1	1	46522	KIT, BLOWER/HEAT SELECTOR SWITCH W/KNOB AND 2 CONTACT BLOCKS
3	1	2	2	37337	KIT, CONVEYOR SPEED CONTROLLER WITH DIGITAL DISPLAY (INC. ITEM 3A)
3A	1	2	2	37503	DIGITAL DISPLAY ONLY
4	1	1	1	46521	KIT, CONVEYOR SELECTOR SWITCH WITH KNOB AND CONTACT BLOCK
5	1	2	2	48635	CIRCUIT BREAKER, 0.3A (DRIVE MOTORS)
6	2	2	2	46831	CIRCUIT BREAKER, 8A (BLOWER MOTORS)
7	2	2	2	45036	CIRCUIT BREAKER, 3A (CONTROL CIRCUIT)
8	1	1	1	28021-0047	SAFETY SWITCH
9	1	1	1	28041-0011	CONTACTOR
10	2	2	2	33363	END STOP, CONTACTOR
11	1	1	1	33983	HIGH LIMIT CONTROL MODULE, 240V
12	1	1	1	35145	RESET SWITCH, HIGH LIMIT WITH GREEN LIGHT
13	1	1	1	31504	TRANSFORMER, 230V PRI : 120V SEC, 200VA

ITEM	QTY.	SINGLE BELT	SPLIT BELT	P/N	DESCRIPTION
14	1	1	1	54953	AIR SWITCH
16	1	1	1	97525	COOLING FAN, 230V
17	1	1	1	27470-0004	FINGER GUARD, COOLING FAN
18	1	1	1	F716A8701	GROUND LUG
19	1	1	1	44390	TERMINAL BLOCK, 3-POLE
20	1	1	1	49977	COVER PLATE, TERMINAL BLOCK ACCESS
22	1	2	2	38185	SENSOR PICKUP
22A	1	2	2	22450-0248	BRACKET-PICKUP SENSOR
22B	1	2	2	220416	CLAMP-SECURES BRACKET
23	1	2	2	58390	MOTOR, CONVEYOR DRIVE WITH 2-POLE MAGNET
23A	1	2	2	39002	MAGNET 2-POLE
23B	1	2	2	310-0017	ADHESIVE
23C	1	2	2	300-2757	CONVEYOR DRIVE MOTOR-ONLY
23D	1	2	2	58484	KIT, 2 BRUSHES & 2 CAPS
23E	2	4	4	30153	BRUSH, SOLD INDIVIDUALLY, QTY 2 REQUIRED
24	1	1	1	33984	KIT, THERMOCOUPLE
24A	1	1	1	33812-1	THERMOCOUPLE
25	1	1	1	33813	RFI FILTER

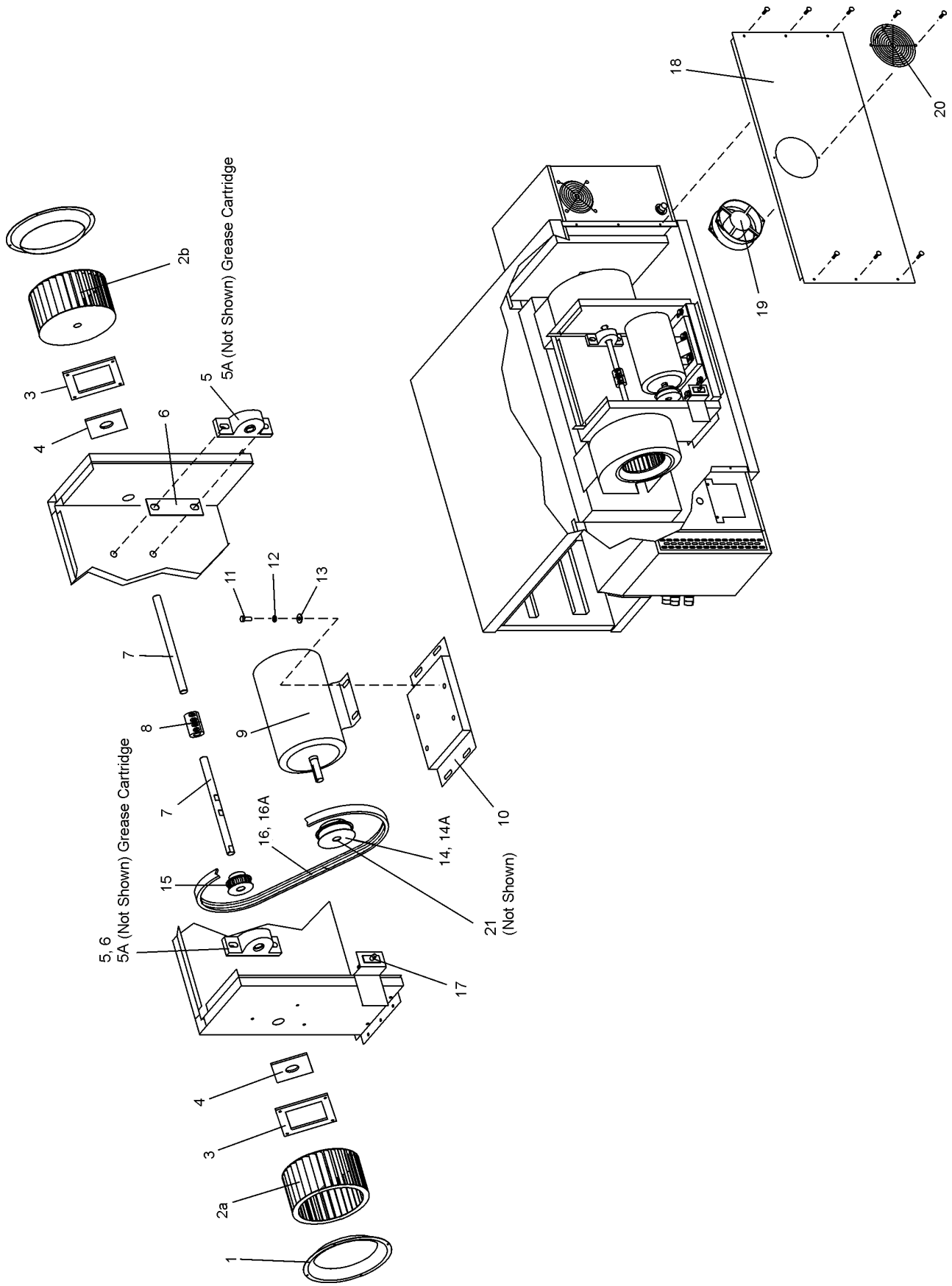
View of Left-hand Electrical Compartment



Parts for Left-hand Electrical Compartment

ITEM	QTY.	P/N	DESCRIPTION
1	2	44914	SOLID STATE RELAY WITH COOLING FAN 208-240V
1	2	44568	SOLID STATE RELAY WITH COOLING FAN 380-480V
2	1	58238	WLDMT, HTG ELE 208V 17KW
2	1	50232	WLDMT, HTG ELE 240V 17KW
2	1	50587	WLDMT, HTG ELE 380V 17KW
2	1	50589	WLDMT, HTG ELE 480V 17KW
3	2	45019	BREAKER, CKT 480VAC 63A 3POLE
4	2	44549	CONTACTOR, 230V AC COIL 85A
5	1	28021-0047	SWITCH, INTLCK 10A NO2P
6	1	33984	KIT, THERMOCOUPLE 6" x 120"
6A	1	33812-1	THERMOCOUPLE
7	2	58212	GUARD, FINGER
8	2	58131	FILTER, CE ONLY

View of Rear Compartment and Blowers

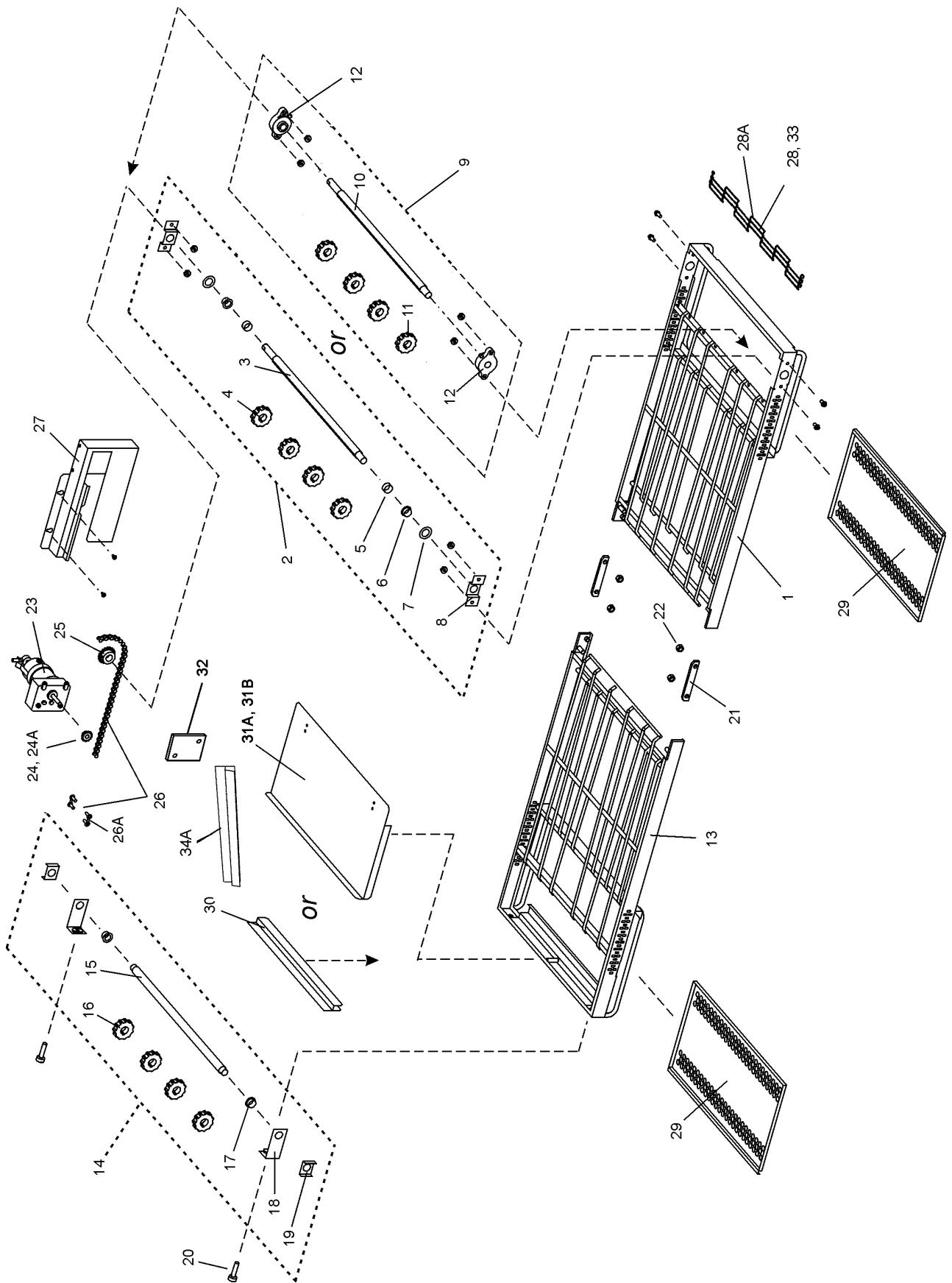


Parts for Rear Compartment and Blowers

ITEM QTY.	P/N	DESCRIPTION	ITEM QTY.	P/N	DESCRIPTION
1 2	42951	INLET RING	12 4	B301A8847	FLAT WASHER, 5/16"
2a 1	42752	BLOWER WHEEL (VIEWED FROM REAR OF OVEN-LEFTHAND)	13 4	A3682	LOCK WASHER, 5/16"
2b 1	42753	BLOWER WHEEL (VIEWED FROM REAR OF OVEN-RIGHTHAND)	14 1	50260*	PULLEY-MOTOR (HIGH SPEED 2400 RPM) 2.487" DIA.
3 2	42999	RETAINER, TEFLON SEAL	14A 1	50224*	PULLEY-MOTOR (STANDARD 1725 RPM) 1.80" DIA.
4 2	35121-0045	TEFLON SEAL	15 1	50224*	PULLEY, BLOWER SHAFT 1.80" DIA.
5 2	22072-0025	BEARING, 5/8" BORE WITH STANDARD GREASE	16 1	50517*	BELT, (50/60Hz) (HIGH SPEED 2400 RPM)
5A --	17110-0015	GREASE, MMSTANDARD CARTRIDGE	16A 1	51428*	BELT (STANDARD 1725 RPM)
6 2	50160	SHIM, BEARING	17 1	28021-0061	SAFETY SWITCH
7 2	50151	BLOWER SHAFT	18 1	47633	BACK WALL
8 1	44748	COUPLING, BLOWER SHAFT	19 1	36451	COOLING FAN
9 1	44687	MOTOR, BLOWER, 208/230V, 1/2HP	20 1	31497	FINGER GUARD, COOLING FAN
10 1	44688	PLATE, MOTOR MOUNTING	21 1	50259*	BUSHING (HIGH SPEED 2400 RPM)-SPLIT TAPER
11 4	A3896	SCREW, HEX CAP HEAD 5/16"-18 X 7/8"	* SEE BELOW		

RPM	RPM KIT P/N	HERTZ	MOTOR PULLEY W/SPLIT BUSHING	MTR PULLEY P/N SPLIT BUSH P/N	BLWR SHAFT PULLEY DESCRIPTION	BLWR SHAFT PULLEY	BELT SIZE DESCRIPTION	BELT P/N	RPM OF FAN
HIGH SPEED	50256	60	POLY G BUSHING	50260 50259	POLY V	50224	POLY V	50517	2400 1950
STD SPEED	51427	60	POLY V	50224	POLY V	50224	POLY V	51428	1725

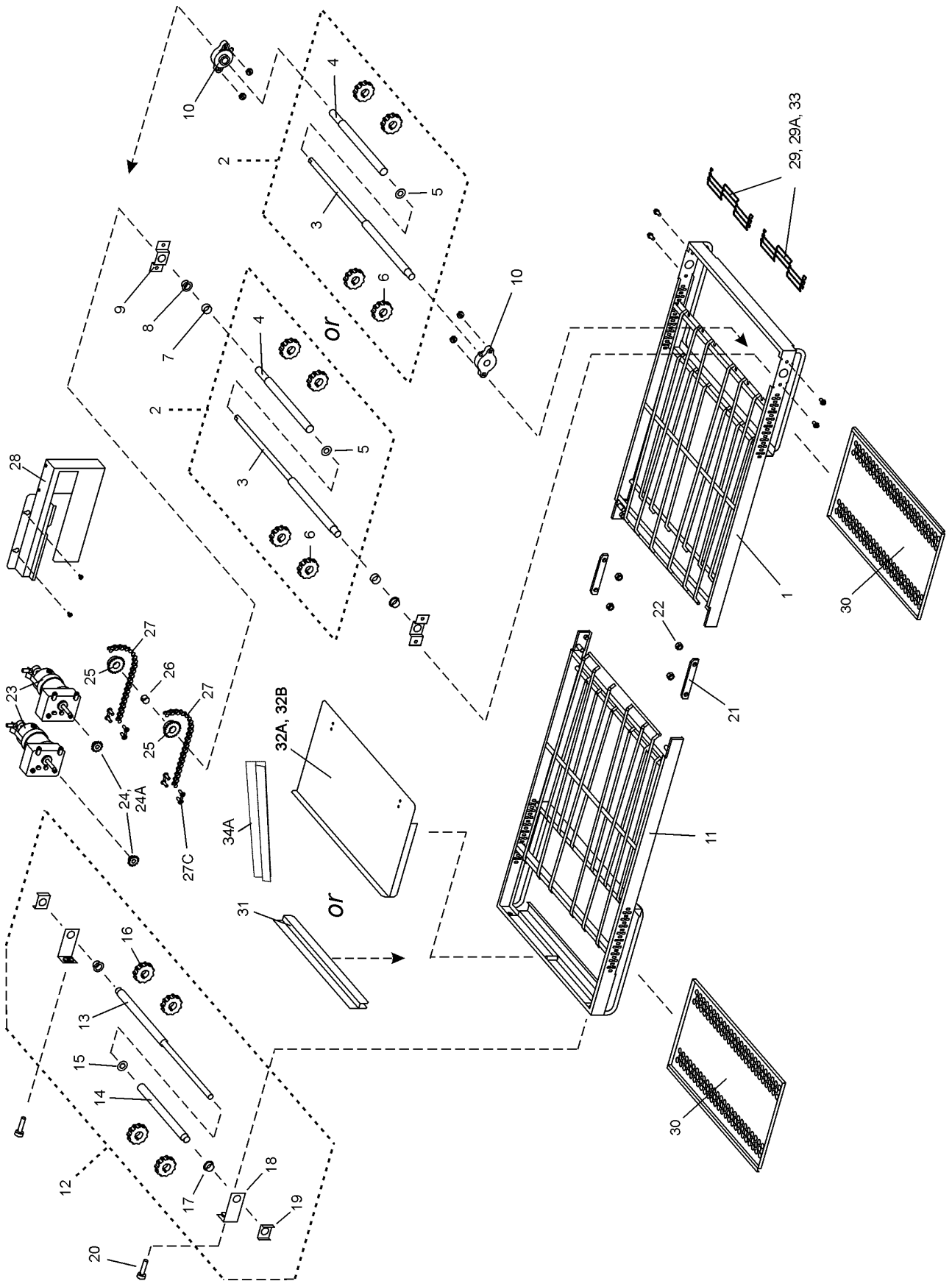
View of Single-Belt Conveyor - Standard Speed (3-30 Minutes), High Speed (1-10 minutes)



Parts for Single-Belt Conveyor - Standard Speed (3-30 Minutes), High Speed (1-10 minutes)

P/N - 60" CONVEYOR		P/N - 76" CONVEYOR		P/N - 60" CONVEYOR		P/N - 76" CONVEYOR	
ITEM QTY.	CONVEYOR	DESCRIPTION	ITEM QTY.	CONVEYOR	DESCRIPTION	ITEM QTY.	CONVEYOR
1	48847	FRAME, DRIVESIDE	1	48847	FRAME, DRIVESIDE	23	SEE PAGES 10 & 11
2	<-----	ASSEMBLY, STANDARD DRIVE SHAFT (INC. ITEMS 3-8)	2	48797	ASSEMBLY, STANDARD DRIVE SHAFT (INC. ITEMS 3-8)	23A	SEE PAGES 10 & 11
3	<-----	DRIVE SHAFT	3	48781	DRIVE SHAFT	24	<----- 34128 ----->
4	<-----	SPROCKET, CONV. BELT	4	22229-0003	SPROCKET, CONV. BELT		
5	<-----	SPACER	5	43275	SPACER	24A	<----- 38215 ----->
6	<-----	BUSHING, BRONZE 5/8" I.D.	6	22034-0003	BUSHING, BRONZE 5/8" I.D.		
7	<-----	SPACER, NYLON	7	35000-1080	SPACER, NYLON	25	<----- 22159-0003 ----->
8	<-----	BRACKET, DRIVESUPPORT	8	49972	BRACKET, DRIVESUPPORT	26	50050
9	<-----	ASSEMBLY, HIGH SPEED DRIVE SHAFT (INC. ITEMS 10-11)	9	48782	ASSEMBLY, HIGH SPEED DRIVE SHAFT (INC. ITEMS 10-11)	26A	<----- 3101212 ----->
10	<-----	DRIVE SHAFT	10	48781	DRIVE SHAFT	27	48851
11	<-----	SPROCKET, CONV. BELT	11	22229-0003	SPROCKET, CONV. BELT	28	50057
12	<-----	FLANGE BEARING (HIGH SPEED ONLY)	12	45377	FLANGE BEARING (HIGH SPEED ONLY)	28A	<----- 8500236 ----->
13	48746	FRAME, IDLER SIDE	13	48795	FRAME, IDLER SIDE	29	48707
14	48780	ASSEMBLY, IDLER SHAFT (INC. ITEMS 15-19)	14	48780	ASSEMBLY, IDLER SHAFT (INC. ITEMS 15-19)	30	50044
15	<-----	IDLER SHAFT	15	48779	IDLER SHAFT	31A	50040
16	<-----	SPROCKET, CONV. BELT	16	22229-0003	SPROCKET, CONV. BELT	31B	50023
17	<-----	BUSHING, BRONZE 5/8" I.D.	17	22034-0003	BUSHING, BRONZE 5/8" I.D.	32	50235
18	37000-0413	BRACKET, IDLER ADJUSTMT.	18	37000-0413	BRACKET, IDLER ADJUSTMT.	33	58391
19	<-----	BRACKET, IDLER SUPPORT	19	54947	BRACKET, IDLER SUPPORT	34A	30830
20	35000-1008	SCREW, IDLER ADJUSTMENT	20	35000-1008	SCREW, IDLER ADJUSTMENT		
21	<-----	PIVOT PLATE	21	50792	PIVOT PLATE		
22	<-----	LOCKNUT, HEX 3/8"-16 SS	22	21176-0002	LOCKNUT, HEX 3/8"-16 SS		

View of Split Belt Conveyor - Standard Speed (3-30 Minutes), High Speed (1-10 minutes)



Parts for Split Belt Conveyor - Standard Speed (3-30 Minutes), High Speed (1-10 minutes)

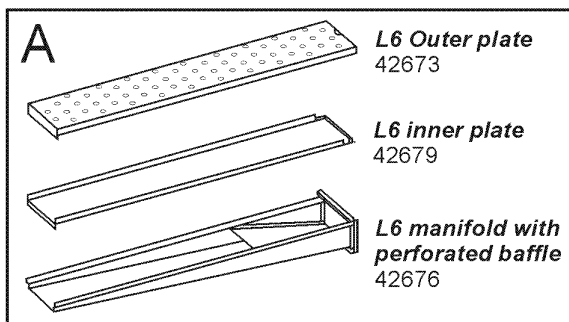
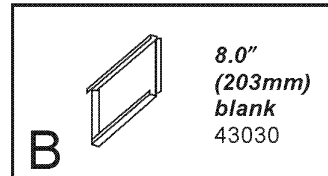
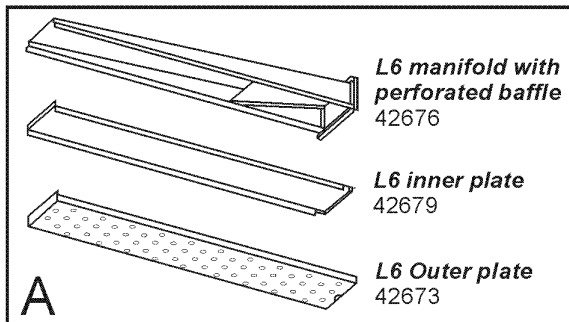
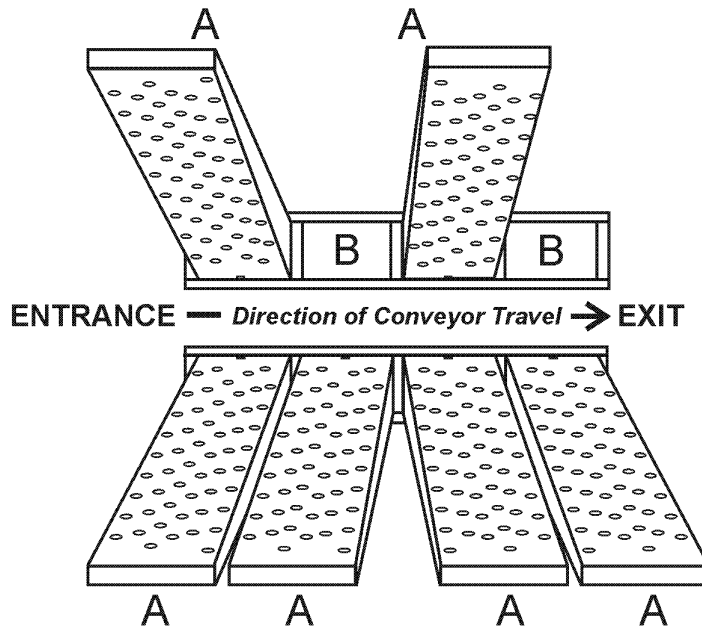
ITEM QTY.	P/N - 60" CONVEYOR	P/N - 76" CONVEYOR	DESCRIPTION	P/N - 60" CONVEYOR	P/N - 76" CONVEYOR	DESCRIPTION	
1	48847	48790	FRAME, DRIVESIDE	SEE PAGES 10 & 11		PICKUP	
2	< - - - - -	48759	ASSEMBLY, SPLIT DRIVE SHAFT, STANDARD AND HIGH SPEED (INC. ITEMS 3-6)	< - - - - -	34128	SPROCKET, CONVEYOR DRIVE MOTOR, 20T (STANDARD SPEED) .317 BORE	
3	< - - - - -	49969	SPLIT DRIVE SHAFT - MAIN	< - - - - -	38215	SPROCKET, 22T (HIGH SPEED) .314 BORE	
4	< - - - - -	48837	SPLIT DRIVE SHAFT - SLEEVE	< - - - - -	22159-0003	SPROCKET, CONVEYOR DRIVE SHAFT, 20T (STANDARD AND HIGH SPEED)	
5	< - - - - -	21415-0001	FLAT WASHER, BRONZE	50050	50053	BUSHING, DRIVES PROCKET ASSEMBLY, DRIVE CHAIN, REAR BELT (LONG - INC. ITEM 27C) 20"	
6	< - - - - -	22229-0003	SPROCKET, CONV. BELT	50051	50052	ASSEMBLY, DRIVE CHAIN, FRONT BELT (SHORT - INC. ITEM 27C) 12"	
7	< - - - - -	43275	SPACER (STANDARD SPEED ONLY)	< - - - - -	35900-0023	MASTER LINK, DRIVE CHAIN ASSEMBLY, CHAIN COVER	
8	< - - - - -	22034-0003	BUSHING, BRONZE 5/8" I.D. (STANDARD ONLY)	48851	50029	BELT, CONVEYOR, 9"/229mm, STANDARD	
9	< - - - - -	49972	BRACKET, DRIVE SUPPORT (STANDARD ONLY)	50056	50058	12" SECTION OF BELT	
10	< - - - - -	45377	FLANGE BEARING (HIGH SPEED ONLY)	< - - - - -	37022	CRUMB PAN, W/HOLES, ENTRANCE & EXIT	
11	48746	48795	FRAME, IDLERSIDE	48707	48708	END STOP	
12	< - - - - -	48769	ASSEMBLY, SPLIT IDLER SHAFT (INC. ITEMS 13-19)	50044	50040	EXIT TRAY, 8"/203mm	
13	< - - - - -	49968	SPLIT IDLER SHAFT - MAIN	50023	50023	EXIT TRAY, 20"/508mm	
14	< - - - - -	48778	SPLIT IDLER SHAFT - SLEEVE	< - - - - -	37020	KIT, MASTER LINK	
15	< - - - - -	21415-0001	FLAT WASHER, BRONZE	30830	30830	SIDESTOP, LEFT	
16	< - - - - -	22229-0003	SPROCKET, CONV. BELT				
17	< - - - - -	22034-0003	BUSHING, BRONZE 5/8" I.D.				
18	< - - - - -	37000-0413	BRACKET, IDLER ADJUSTMT.				
19	< - - - - -	54947	BRACKET, IDLER SUPPORT				
20	< - - - - -	35000-1008	SCREW, IDLER ADJUSTMENT				
21	< - - - - -	50792	PIVOT PLATE				
22	< - - - - -	21176-0002	LOCK NUT, HEX 3/8" - 16SS				
23	SEE PAGES 10 & 11						
ASSEMBLY, CONVEYOR MOTOR AND PICKUP (INC. ITEM 23a)							

BE2136

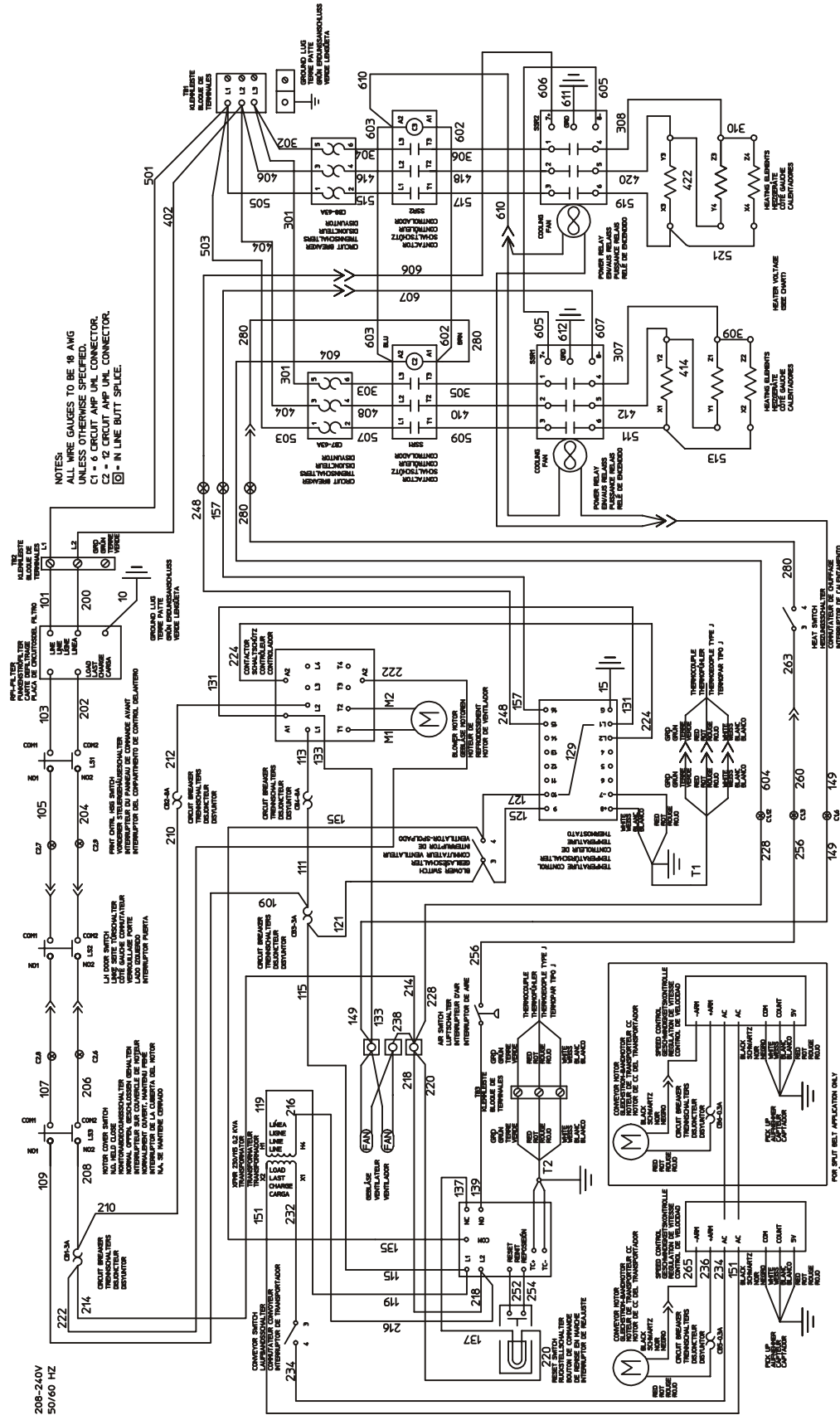
Standard Air finger configuration

NOTE: Left-to-Right configuration is shown.

For Right-to-Left conveyors, "mirror" the placement of the fingers.

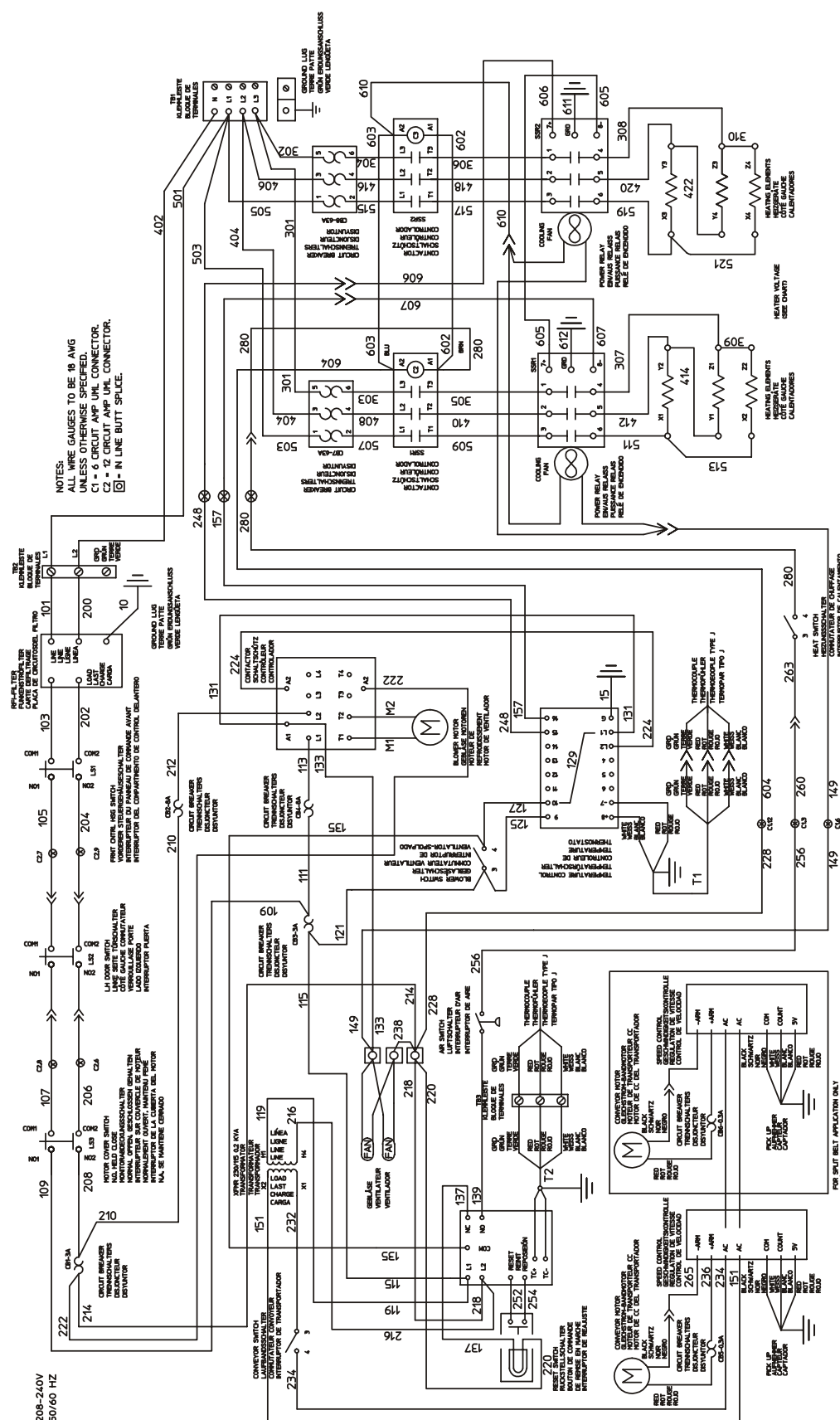


Wiring Diagrams (electrical schematics)



VOLTAGE	TOTAL KILOWATTS	PHASE	L1	L2	L3
208	17.0	3	53.19	53.19	47.19
235	23.5	3	71.2	71.2	65.2
240	17.0	3	46.9	46.9	40.9
235	23.5	3	62.5	62.5	56.5

208-240V
50/60 HZ

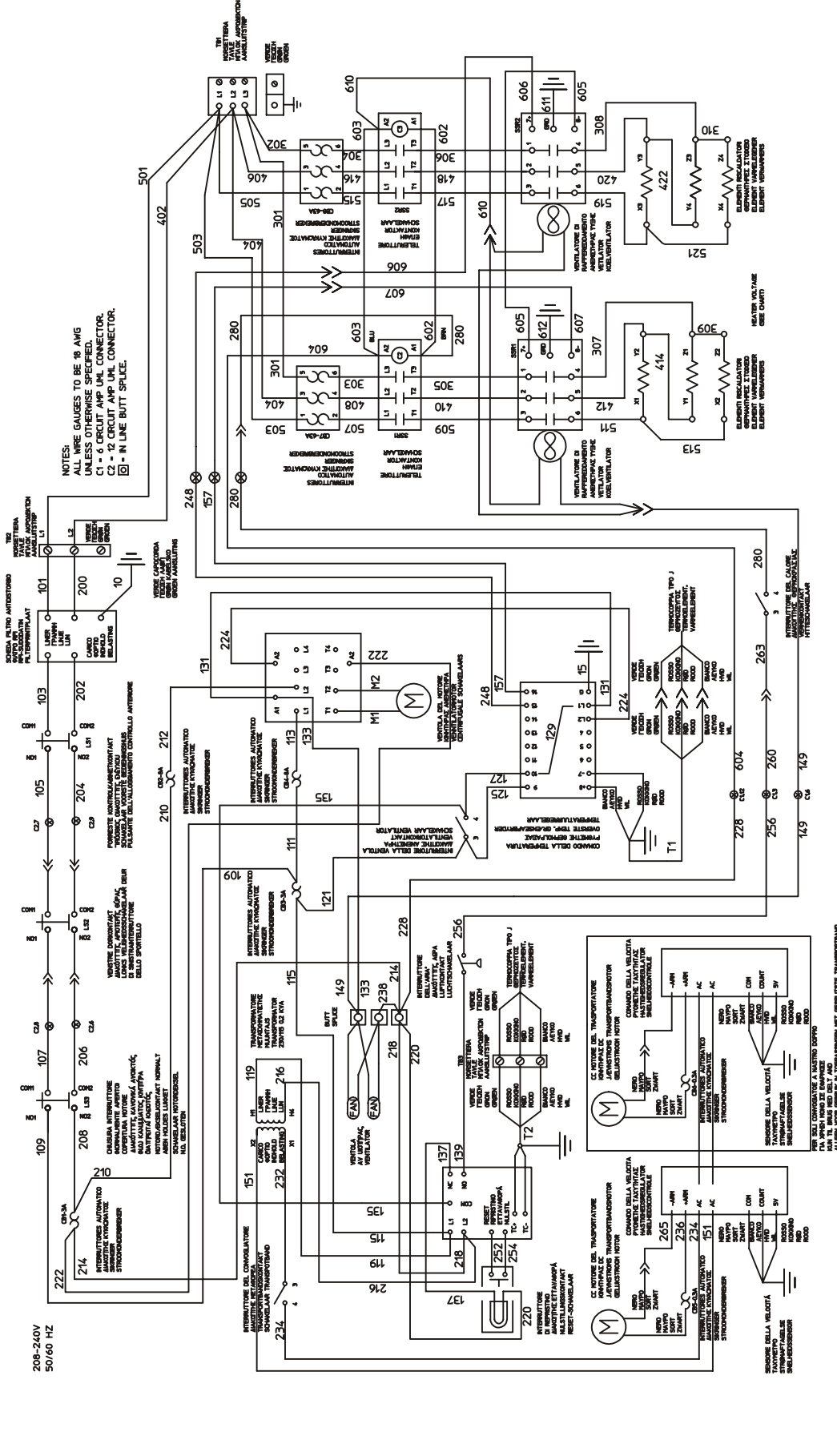


NOTES:
ALL WIRE GAUGES TO BE 18 AWG
UNLESS OTHERWISE SPECIFIED.
C1 = 6 CIRCUIT AMP UNIL CONNECTOR.
C2 = 12 CIRCUIT AMP UNIL CONNECTOR.
□ = IN LINE BUTT SPLICE.

VOLTAGE	TOTAL KILOWATTS	PHASE	L1	L2	L3	N
380	17.0	3	31.8	25.8	25.8	6.0
480	23.5	3	41.7	35.7	35.7	6.0
	17.0	3	26.5	20.5	20.5	6.0
	23.5	3	34.3	28.3	28.3	6.0

58267C

Blodgett BE2136 E380-480 Volt, 3 Phase ENG/UK/GM/FR/SP

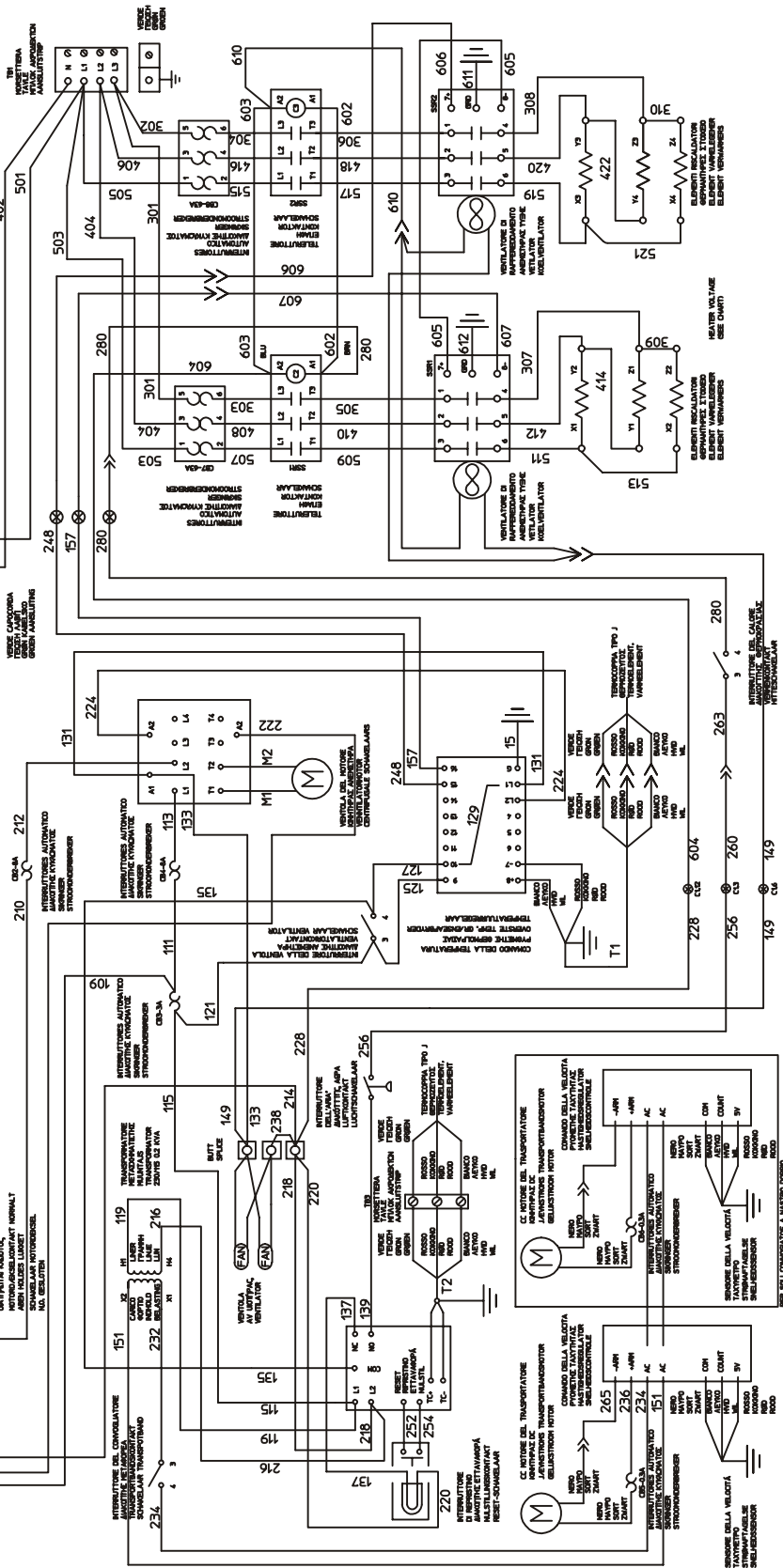


NOTES:
 ALL WIRE GAUGES TO BE 18 AWG
 UNLESS OTHERWISE SPECIFIED.
 C1 - 6 CIRCUIT AMP UML CONNECTOR.
 C2 - 12 CIRCUIT AMP UML CONNECTOR.
 □ - IN LINE BUTT SPLICE.

VOLTAGE	TOTAL KILOWATTS	PHASE	L1	L2	L3
208	17.0	3	53.19	53.19	47.19
240	23.5	3	71.2	71.2	65.2
	17.0	3	46.9	46.9	40.9
	23.5	3	62.5	62.5	56.5

208-240V
50/60 HZ

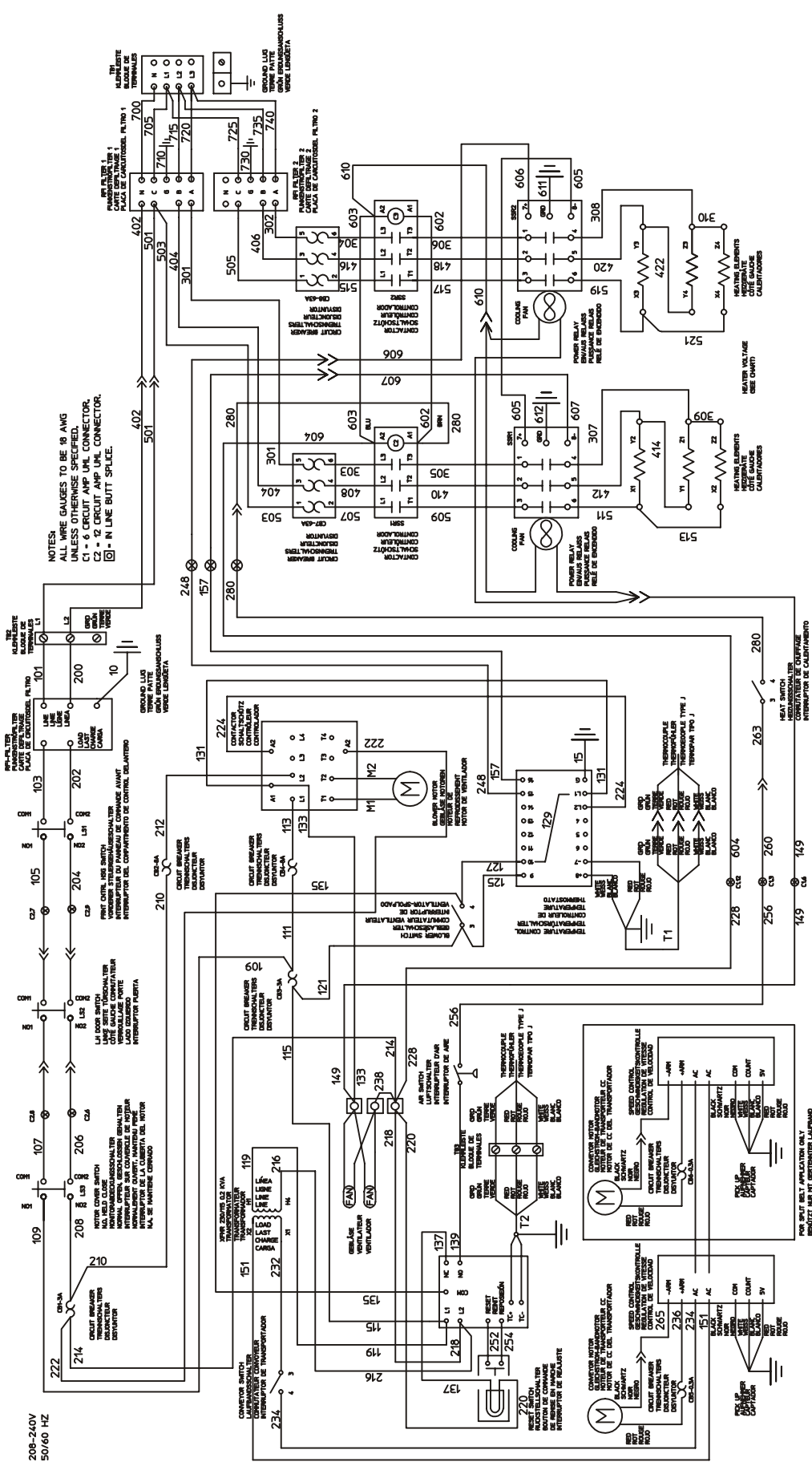
NOTES:
ALL WIRE GAUGES TO BE 18 AWG
UNLESS OTHERWISE SPECIFIED.
1 - CIRCUIT AMPERE CONNECTOR
C - 10 AMPERE FUSE
IN LINE BUTT SPICE.



VOLTAGE	TOTAL KILOWATTS	PHASE	L1	L2	L3	N
380	17.0	3	31.8	25.8	25.8	6.0
	23.5	3	41.7	35.7	35.7	6.0
480	17.0	3	26.5	20.5	20.5	6.0
	23.5	3	34.3	28.3	28.3	6.0

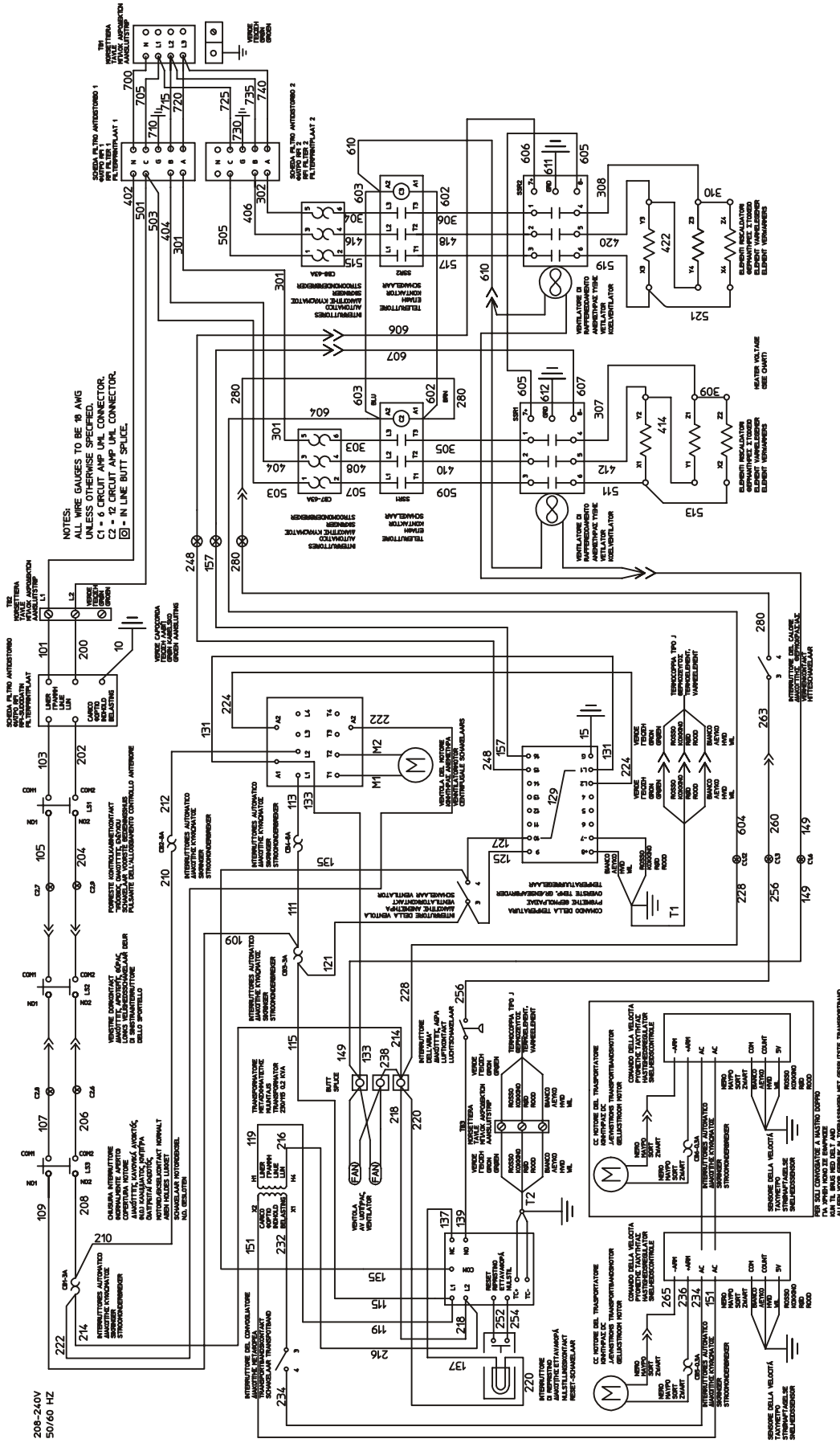
58269C

Blodgett BE2136 E380-480 Volt, 3 Phase IT/GR/DNU



NOTES:
 ALL WIRE GAUGES TO BE 18 AWG
 UNLESS OTHERWISE SPECIFIED
 C1 = 1 CIRCUIT AMP LINE CONNECTOR
 C2 = 2 CIRCUIT AMP LINE CONNECTOR
 □ = IN LINE BUTT SPLICE

VOLTAGE	TOTAL KILOWATTS	PHASE			
		L1	L2	L3	N
380	17.0	31.8	25.8	25.8	6.0
	23.5	41.7	35.7	35.7	6.0



NOTES:
 ALL WIRE GAUGES TO BE 18 AWG
 C1 = 2 CIRCUIT AMP LINE CONNECTOR
 C2 = 12 CIRCUIT AMP LINE SPLICER
 C3 - IN LINE BUTT SPLICE

VOLTAGE	TOTAL KILOWATTS	PHASE	L1	L2	L3	N
380	17.0	3	31.8	25.8	25.8	6.0
	23.5	3	41.7	35.7	35.7	6.0

58332C

Blodgett BE2136 E380VCE, 3 Phase IT/GR/DN/DU

NOTES

